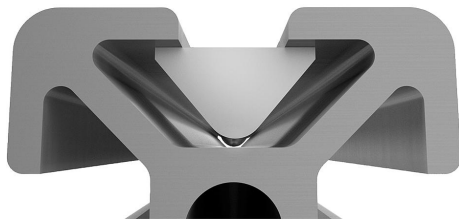
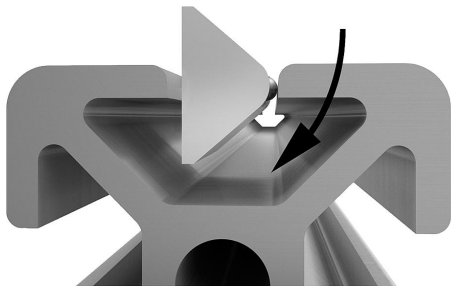


## Slot nuts twist-in Type I

### Item description/product images



### Description

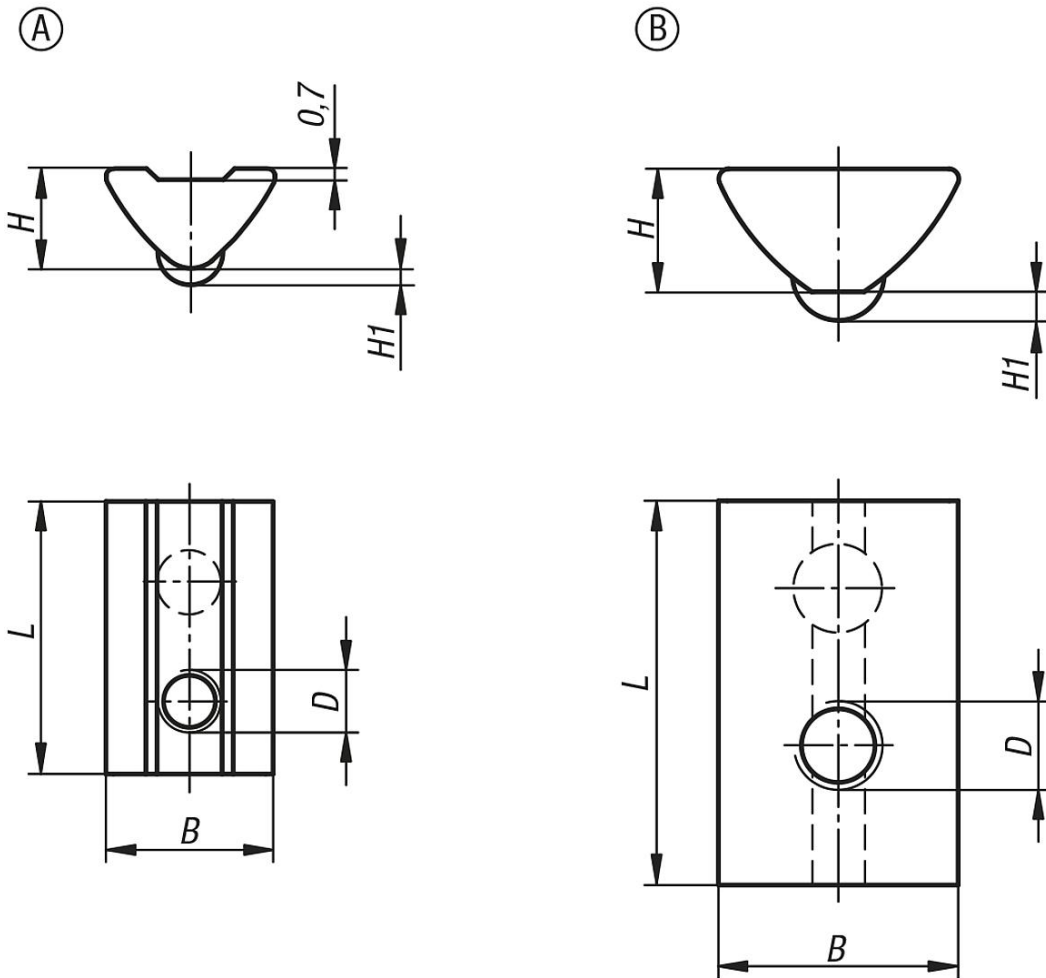
**Material:**  
Steel.

**Version:**  
Electro zinc-plated.

**Note:**  
The slot nut is twisted into the profile slot and so can be subsequently inserted into existing systems. The spring-loaded ball allows the nut to be fixated anywhere in the profile slot.

# Slot nuts twist-in Type I

## Drawings



## Overview of items

### Slot nuts twist-in Type I

| Order No.  | Type | Slot width | Form | D  | B    | H   | H1  | L  |
|------------|------|------------|------|----|------|-----|-----|----|
| K1023.0604 | I    | 6          | A    | M4 | 10,5 | 6,3 | 1   | 17 |
| K1023.0605 | I    | 6          | A    | M5 | 10,5 | 6,3 | 1   | 17 |
| K1023.0606 | I    | 6          | A    | M6 | 10,5 | 6,3 | 1   | 17 |
| K1023.0804 | I    | 8          | B    | M4 | 13,7 | 7   | 1,7 | 22 |
| K1023.0805 | I    | 8          | B    | M5 | 13,7 | 7   | 1,7 | 22 |
| K1023.0806 | I    | 8          | B    | M6 | 13,7 | 7   | 1,7 | 22 |
| K1023.0808 | I    | 8          | B    | M8 | 13,7 | 7   | 1,7 | 22 |