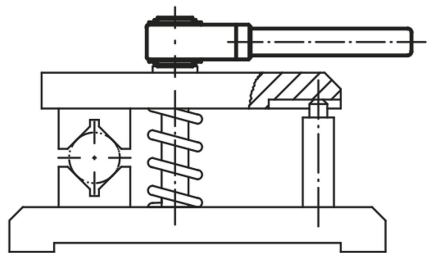


Ratchet levers

Item description/product images



Description

Material:

Housing carbon steel, tension nut and tension pin case-hardened steel.

Version:

Black oxidised.

Matt-finished or high-polish chrome-plated versions available at extra charge.

Note:

Tension Pin A standard version (for ratchet action):

Use for clamping and releasing in limited space and when considerable travel is involved. In order to change the tightening direction, the handle must be reversed by 180°.

Tension Pin B special version:

Use for clamping and releasing in limited space and when short travel is involved.

The handle is not reversed in order to change the tightening direction. It must be pulled out before it can be engaged in the next slot.

On request:

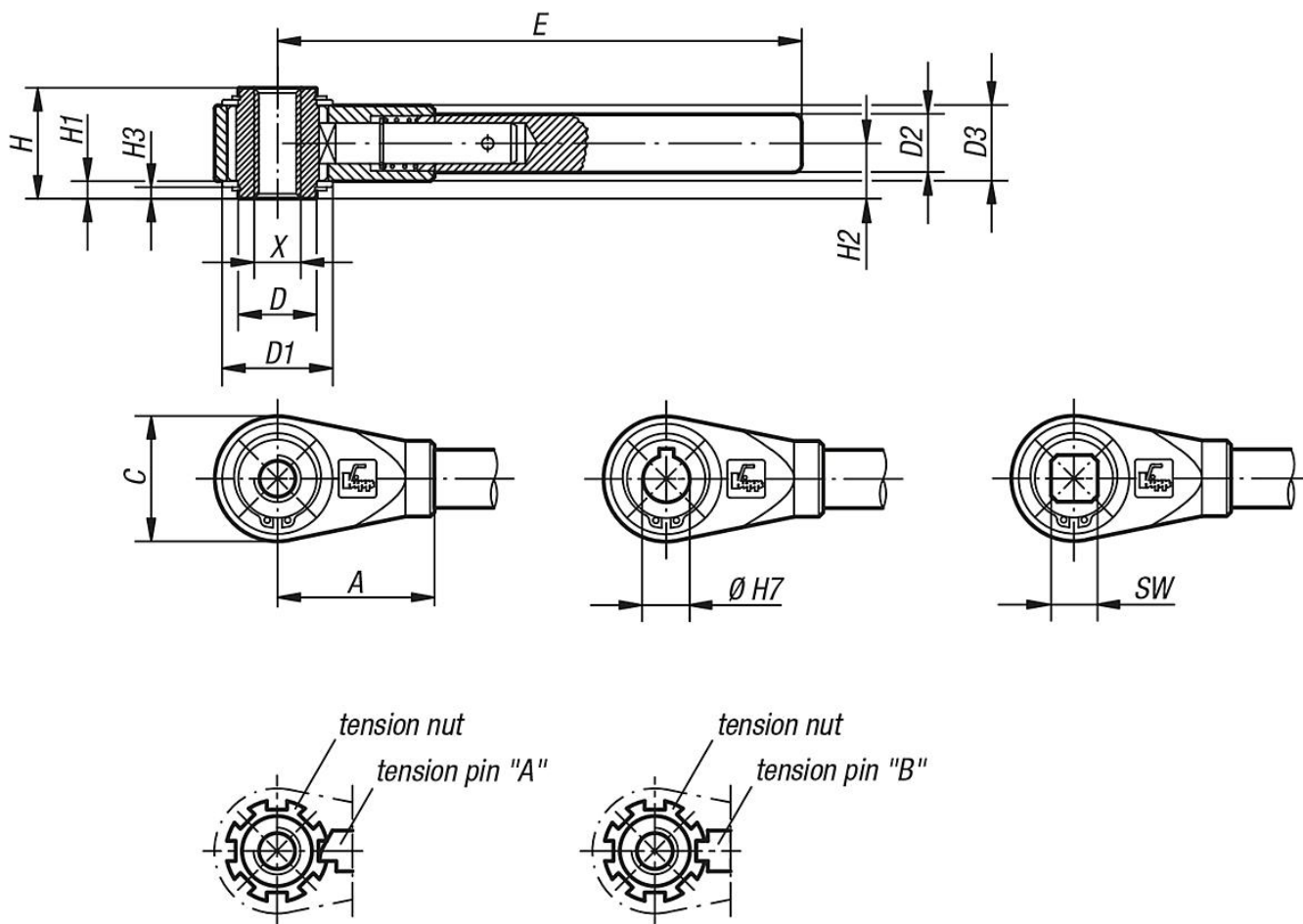
Other thread, reamed hole and square socket sizes.

Dimension "E" available in other lengths at extra charge.

Special version: Tension pin B.

Ratchet levers

Drawings



Overview of items

Ratchet levers with reamed hole

Order No.	Reamed hole H7 with DIN 6885-1 keyway	A	C	E	D	D1	D2	D3	H	H1	H2	H3	No. of index slots
K0128.412	12	48	36	150	22	33	17	22	31	4,5	15,5	3	7
K0128.414	14	54	43	180	27	38	20	26	38	6	19	4	8
K0128.415	15	54	43	180	27	38	20	26	38	6	19	4	8
K0128.416	16	54	43	180	27	38	20	26	38	6	19	4	8
K0128.418	18	70	51	230	35	45	24	30	42	6	21	4	8
K0128.420	20	70	51	230	35	45	24	30	42	6	21	4	8
K0128.422	22	80	61	300	42	56	28	35	47	6	23,5	4	9
K0128.425	25	80	61	300	42	56	28	35	47	6	23,5	4	9
K0128.427	27	80	61	300	42	56	28	35	47	6	23,5	4	9
K0128.430	30	110	82	400	60	75	32	38	53	7,5	26,5	5	11
K0128.436	36	110	82	400	60	75	32	38	53	7,5	26,5	5	11

Ratchet levers with square socket

Order No.	Square socket SW	A	C	E	D	D1	D2	D3	H	H1	H2	H3	No. of index slots
K0128.510	10	48	36	150	22	33	17	22	31	4,5	15,5	3	7
K0128.512	12	48	36	150	22	33	17	22	31	4,5	15,5	3	7
K0128.513	13	54	43	180	27	38	20	26	38	6	19	4	8
K0128.514	14	54	43	180	27	38	20	26	38	6	19	4	8

Ratchet levers

Overview of items

Order No.	Square socket SW	A	C	E	D	D1	D2	D3	H	H1	H2	H3	No. of index slots
K0128.517	17	70	51	230	35	45	24	30	42	6	21	4	8
K0128.519	19	80	61	300	42	56	28	35	47	6	23,5	4	9
K0128.520	20	80	61	300	42	56	28	35	47	6	23,5	4	9
K0128.522	22	80	61	300	42	56	28	35	47	6	23,5	4	9
K0128.524	24	80	61	300	42	56	28	35	47	6	23,5	4	9
K0128.530	30	110	82	400	60	75	32	38	53	7,5	26,5	5	11
K0128.532	32	110	82	400	60	75	32	38	53	7,5	26,5	5	11