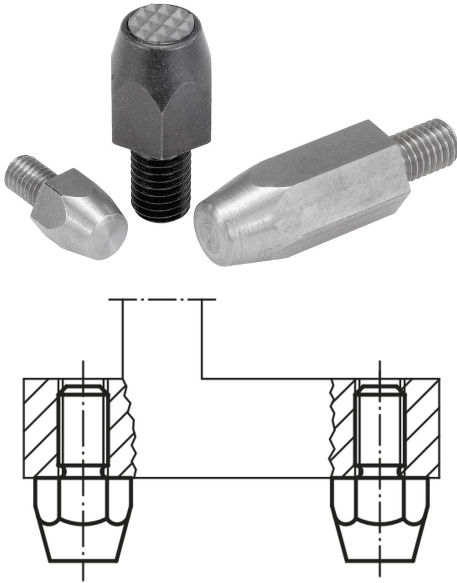


Feet with threaded pin, DIN 6320 (edition 1971)

Item description/product images



Description

Material:

Carbon steel 1.1172.

Version:

Black oxidised.

Note:

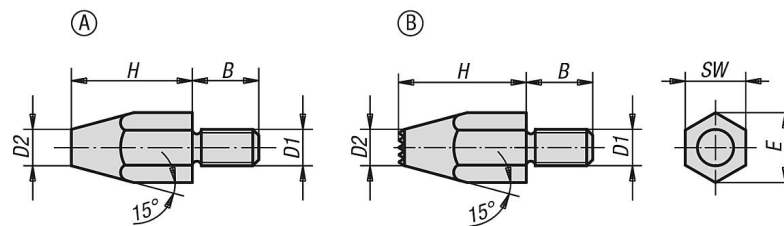
The rest pads K0292 and K0293 can also be used as feet.

Drawing reference:

Form A: Smooth face

Form B: Carbide tips

Drawings



Overview of items

Feet with threaded pin, DIN 6320 (edition 1971)

Order No.	Form	D1	D2	H	B	E	SW
K0296.06	A	M6	8	10	11	11,5	10
K0296.061	A	M6	6	20	11	11,5	10
K0296.08	A	M8	10	15	13	15	13
K0296.081	A	M8	9	30	13	15	13
K0296.10	A	M10	13	20	16	19,6	17
K0296.101	A	M10	13	40	16	19,6	17
K0296.12	A	M12	15	25	20	21,9	19
K0296.121	A	M12	15	50	20	21,9	19
K0296.083	B	M8	11,5	15	13	15	13
K0296.123	B	M12	15	25	20	21,9	19