

Ball transfer units with solid steel housing

Item description/product images



Description

Material:

Steel electro zinc-plated.

Note:

Ball transfer units with solid housings remain functional even under heavy impact loads and extreme conditions.

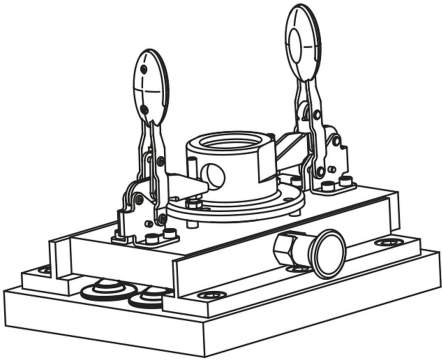
They have a felt seal to protect against dirt.

Drawing reference:

- 1) load ball
- 2) bearing balls

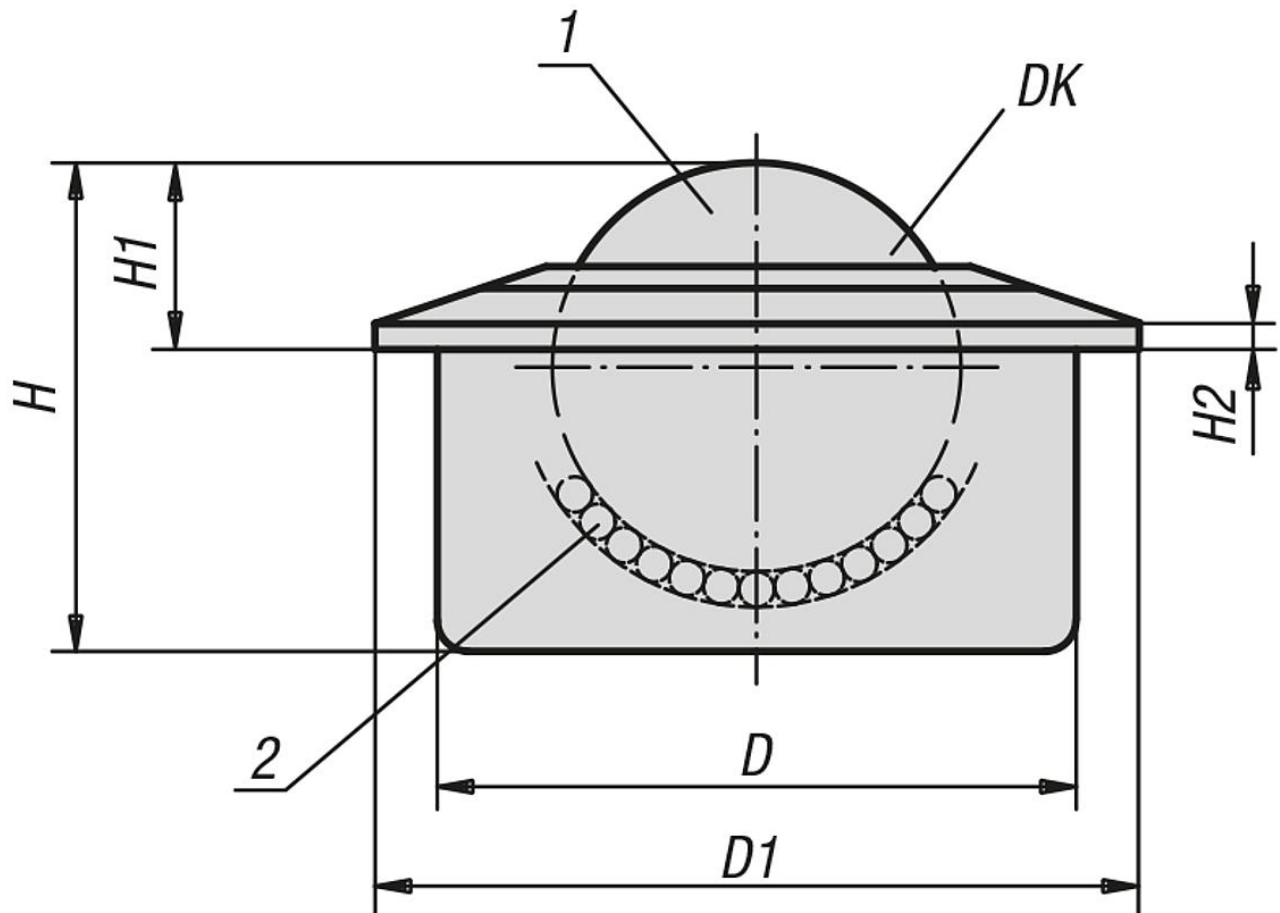
Form B: cap and housing electro zinc-plated, balls steel

Form C: cap and housing electro zinc-plated, balls stainless steel



Ball transfer units with solid steel housing

Drawings



Overview of items

Ball transfer units with solid steel housing

Order No.	Form	DK	D	D1	H	H1	H2	Load rating C (N)	Suitable tolerance ring
K0763.160	B	57,1	100±0,1	117	77,5	29,5	5	15000	K0766.100
K0763.260	C	57,1	100±0,1	117	77,5	29,5	5	10000	K0766.100