

## Tube clamps cross plastic

### Item description/product images



### Description

**Material:**

Thermoplastic.

DIN 7984 screws and DIN 985 nuts steel.

**Version:**

Black.

Screws and nuts electro zinc-plated.

**Note:**

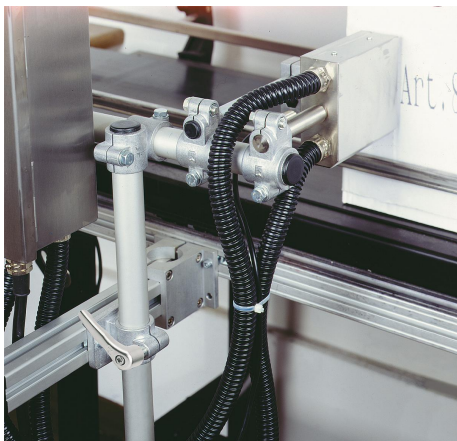
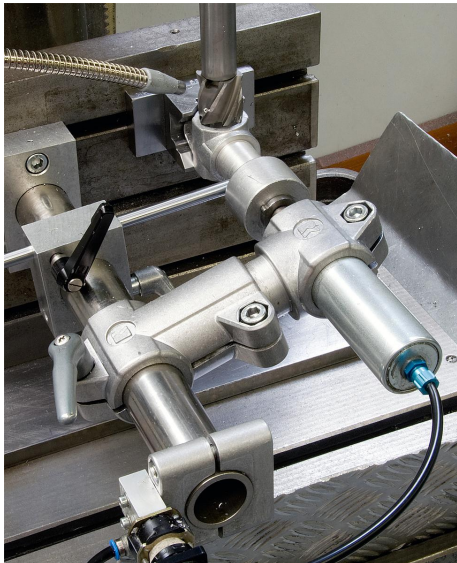
These cross clamps are for 30 mm square and round tubes. Use reducer sleeves K0491 or K0492 if smaller tubes are to be clamped or a conversion from round to square tubes "or vice versa" is required.

**On request:**

Plastic levers for locking.

**Accessory:**

- Reducer sleeves K0491 and K0492
- Round and square tubes K0493

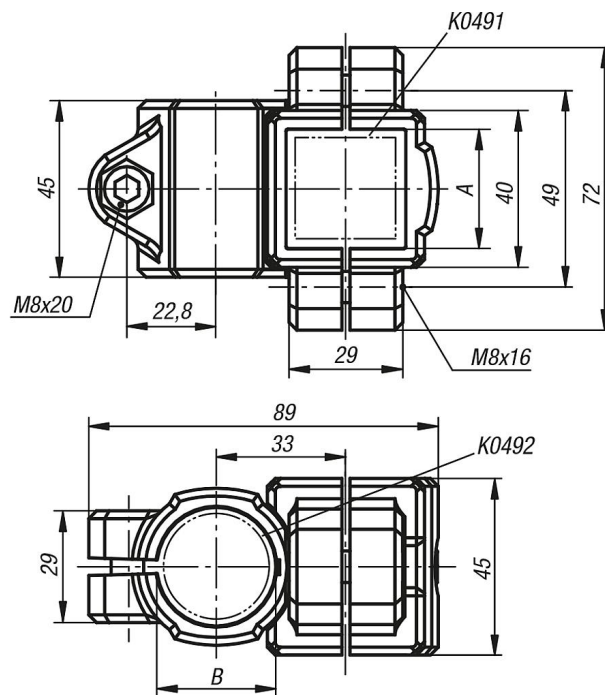


**Tube clamps cross plastic**

Item description/product images



**Drawings**



**Overview of items**

**Tube clamps cross, plastic**

Order No.	A	B
K0474.3030	30	30