

# Hinges aluminium, with detent

## Item description/product images



### Description

**Material:**

Aluminium 6060 T5.  
Screws and nuts stainless steel.  
Washers PA.

**Version:**

Black anodised

**Note:**

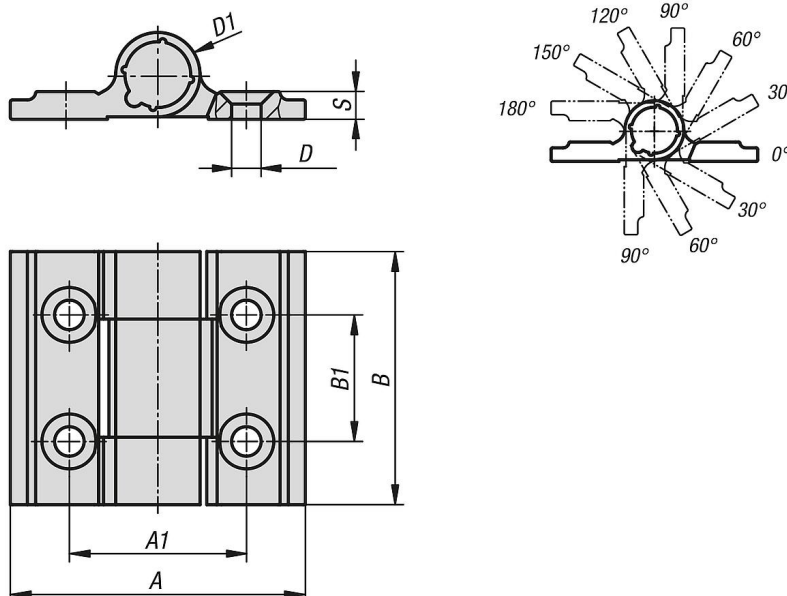
These hinges have a detent mechanism that indexes every 30° from 0° to 270° and holds doors or hatches open or tightly closed.  
The detent torque is not adjustable.  
Torque tolerance ±20%

Fastened using DIN 7991 countersunk screws.

**Temperature range:**

From -30°C to +70°C

## Drawings



## Overview of items

### Hinges aluminium, with detent

Order No.	A	A1	B	B1	D	D1	S	Max. torque Nm
K1197.35301	35	21	30	15	3,5	10	3,3	0,3