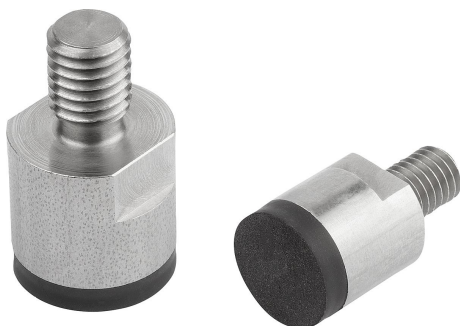


Deep pot magnets with threaded pin NdFeB, rubber magnetic face

Item description/product images



Description

Material:

Housing stainless steel 1.4104.
Magnetic core NdFeB (neodymium).
Magnetic face rubberised (TPE).

Note:

Deep pot magnet with external thread, shielded system. With rubber magnetic face to protect sensitive surfaces. The rubber face increases the coefficient of friction resulting in high lateral frictional forces.

Temperature range:

max. 80°C.

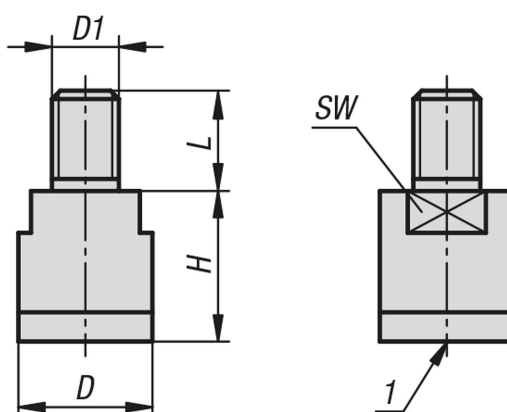
Assembly:

The deep pot magnets with rubberised magnetic face can be used as a magnetic stop system.

Drawing reference:

1) magnetic face

Drawings



Overview of items

Deep pot magnets with threaded pin, NdFeB, magnetic face rubberised

Order No.	D	D1	H	L	SW	Magnetic force N
K1397.1306	13	M6	16	10	11	15
K1397.1608	16	M8	18	12	13	23
K1397.2010	20	M10	20	14	17	46