

Palm grips

Item description/product images



Description

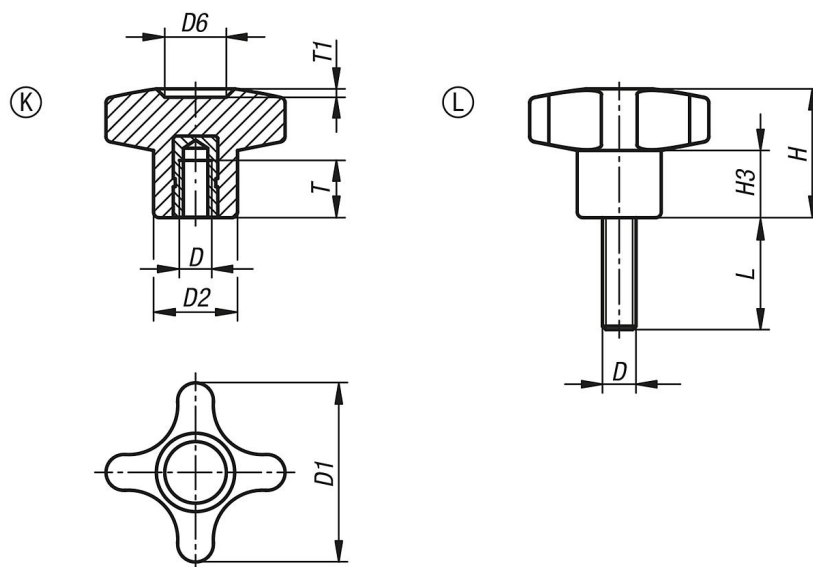
Material:

Fibreglass reinforced thermoplastic.
Tapped bush brass.
Screw steel.

Version:

Grip, black.
Screw electro zinc-plated.

Drawings



Overview of items

| Order No. | Form | D | D1 | D2 | D6 | H | H3 | T | T1 |
|--------------|------|-----|----|------|------|------|------|-----|-------------|
| K1089.23205 | K | M5 | 32 | 15 | 11 | 23 | 12 | 14 | 1,5 |
| K1089.23206 | K | M6 | 32 | 15 | 11 | 23 | 12 | 14 | 1,5 |
| K1089.24008 | K | M8 | 40 | 16 | 13 | 24,5 | 12,5 | 14 | 1,5 |
| K1089.25010 | K | M10 | 50 | 20 | 14 | 29 | 15 | 14 | 2 |
| K1089.26012 | K | M12 | 60 | 24 | 18 | 34 | 18,5 | 18 | 2 |
| Order No. | Form | D | D1 | D2 | D6 | H | H3 | T1 | L |
| K1089.43205X | L | M5 | 32 | 15 | 11 | 23 | 11 | 1,5 | 16/20 |
| K1089.43206X | L | M6 | 32 | 15 | 11 | 23 | 11 | 1,5 | 16/20/30 |
| K1089.43208X | L | M8 | 32 | 15 | 11 | 23 | 11 | 1,5 | 16/20/30/40 |
| K1089.44006X | L | M6 | 40 | 15,7 | 12 | 24,5 | 12,5 | 1 | 20/30 |
| K1089.44008X | L | M8 | 40 | 15,7 | 12 | 24,5 | 12,5 | 1 | 20/30/40/50 |
| K1089.45008X | L | M8 | 50 | 20 | 14,5 | 29 | 15 | 1,5 | 20/30/40 |
| K1089.45010X | L | M10 | 50 | 20 | 14,5 | 29 | 15 | 1,5 | 20/30/40/50 |
| K1089.46010X | L | M10 | 60 | 24 | 18 | 34 | 18,5 | 1,5 | 20/30/40/50 |
| K1089.46012X | L | M12 | 60 | 24 | 18 | 34 | 18,5 | 1,5 | 20/30/40/50 |