

## Tube clamps swivel base aluminium

### Item description/product images



### Description

**Material:**

Cast aluminium.  
DIN 7984 screws and DIN 985 nuts, steel.

**Version:**

Vibratory ground.  
Screws and nuts electro zinc-plated.

**Note:**

Tube swivel clamps can be seamlessly rotated through 180°.

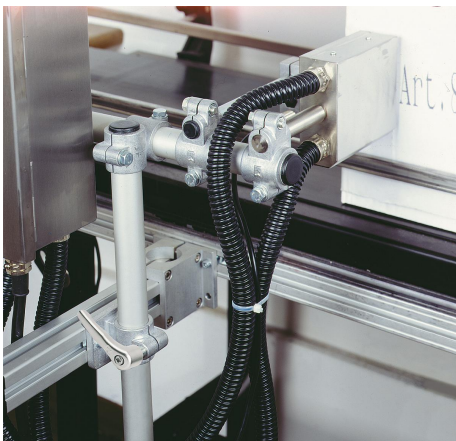
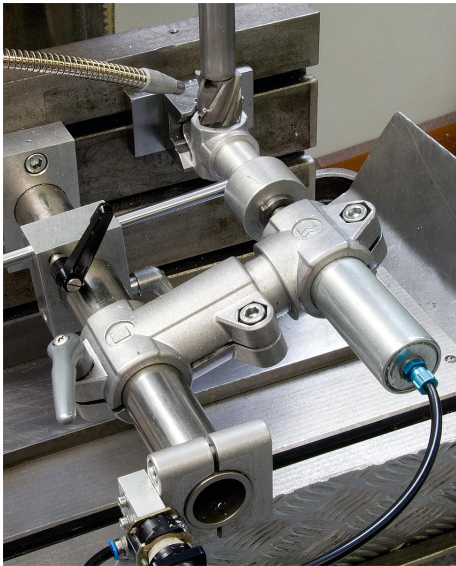
\* Elongated hole

**On request:**

Levers for locking and other diameters.

**Accessory:**

- Round and square tubes K0493



## Tube clamps swivel base aluminium

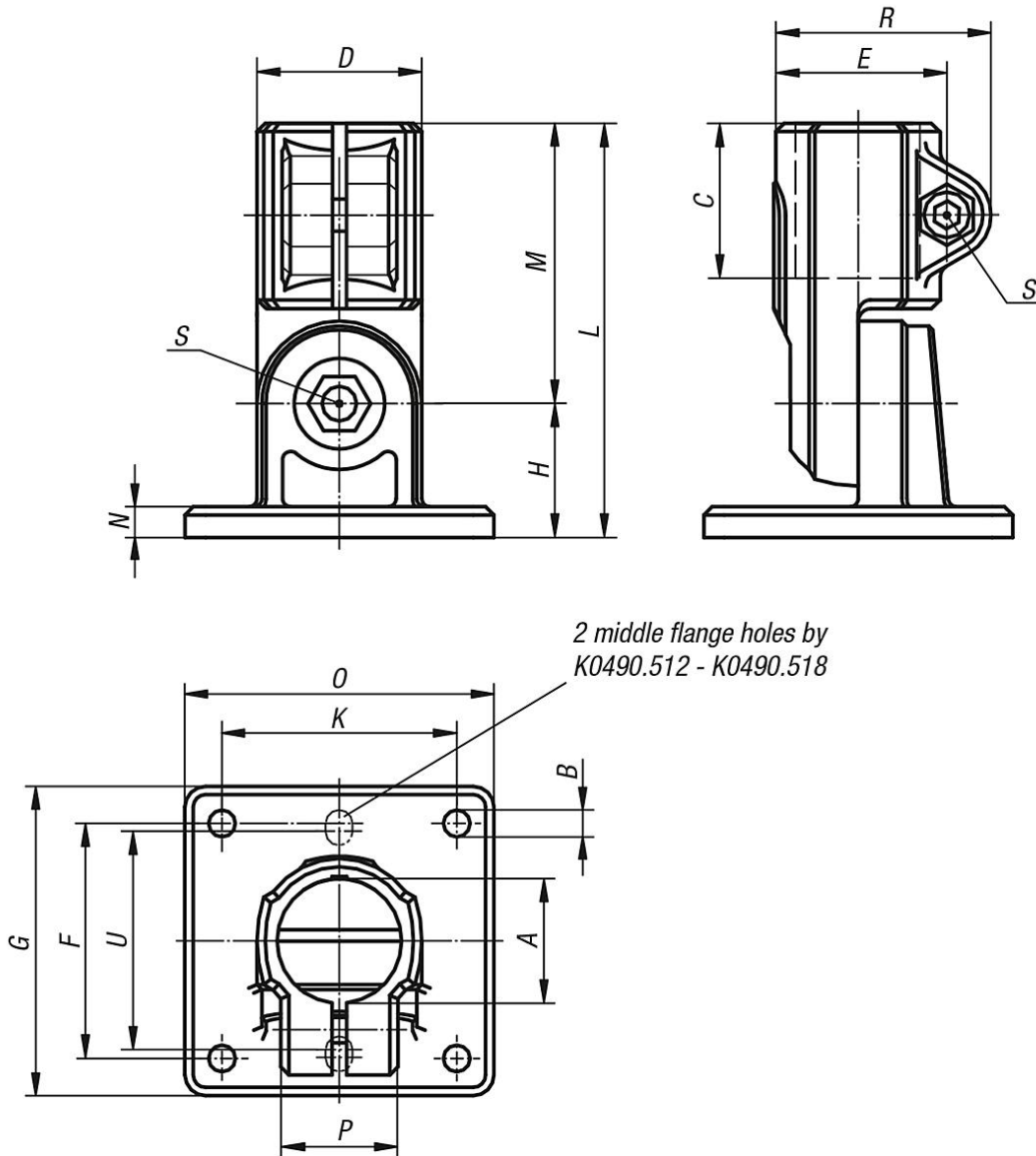
Item description/product images

---



Tube clamps swivel base aluminium

Drawings



Overview of items

Tube clamps swivel base, aluminium

Order No.	A	B	C	D	E	F	G	H	K	L	M	N	O	P	R	S	U
K0490.512	12,1	6* (2x)	25	26	29,4	40	50	20	-	64	44	5	35	21	37,5	M6x18	38
K0490.514	14,1	6* (2x)	25	26	29,4	40	50	20	-	64	44	5	35	21	37,5	M6x18	38
K0490.516	16,1	6* (2x)	25	26	29,4	40	50	20	-	64	44	5	35	21	37,5	M6x18	38
K0490.518	18,1	6* (2x)	25	26	29,4	40	50	20	-	64	44	5	35	21	37,5	M6x18	38
K0490.520	20,1	7* (4x)	45	40	42	57	75	33	57	106	73	7	75	33	52	M8x35	-
K0490.525	25,1	7* (4x)	45	40	42	57	75	33	57	106	73	7	75	33	52	M8x35	-
K0490.530	30,1	7* (4x)	45	40	42	57	75	33	57	106	73	7	75	33	52	M8x35	-
K0490.540	40,2	9* (4x)	60	56	57	76	100	44	76	144	100	10	100	48	69	M10x50	-