

Slam latch with integrated safety function

Item description/product images



Description

Material:

Die cast aluminium.
End caps plastic.

Version:

Black powder-coated.
End caps black.
M12 plug – eight-pin, plug outlet at top or bottom.
For left or right opening doors.
System voltage 24 V.
UL-certified.
Tested according to B6.
Safety class category 4, PLe (EN ISO 13849-1).

Note:

For the simple and safe locking of doors and hatches. Installed from the front without mechanical processing using M6 cylinder head or pan head screws. Secured to prevent removal when locked. With integrated safety function. Safety doors up to cat. 4/PLe secured thanks to integrated transponder-coded safety technology. Can also be locked to prevent inadvertent machine stoppage. To display the status, the slam latch has two highly visible LED's to ensure rapid diagnosis.

The lockable slam latches are both supplied with 2 keys. The key can be removed in both positions (open and closed). The locks are keyed alike, i.e. they can all be opened using the same key (euro key 5333).

Possible profile combinations:

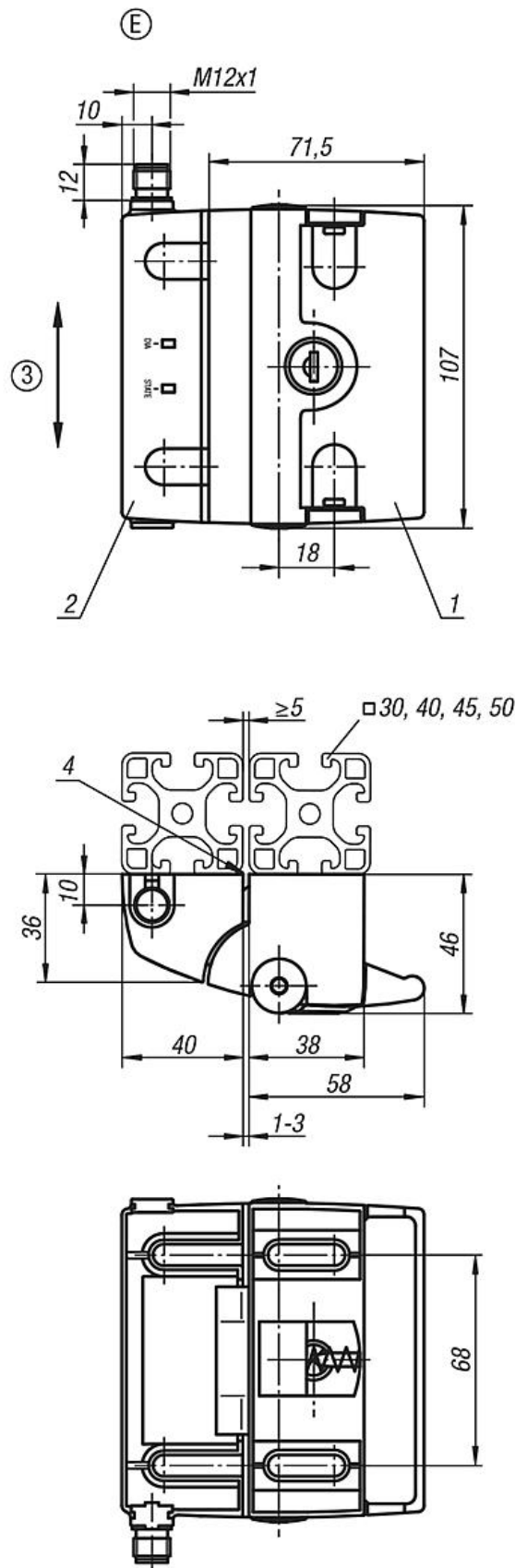
- 30/40 30/45 30/50
- 40/30 40/40 40/45 40/50
- 45/30 45/40 45/45 45/50
- 50/30 50/40 50/45 50/50

Drawing reference:

- 1) Grip module
- 2) Lock module
- 3) Vertical offset between lock and grip module: ± 1 mm max.
- 4) Mount lock module flush with profile

Slam latch with integrated safety function

Drawings



Slam latch with integrated safety function

Overview of items

Slam latch with integrated safety function

Order No.	Form	Slot width	Actuation
K1496.370681	E	8/10	key