

Toggle clamps horizontal with flat foot and adjustable clamping spindle

Item description/product images



Angle bracket for front face mounting (see accessories)

Description

Material:

Steel or stainless steel.

Version:

Trivalent passivated.

Clamping spindle and nuts phosphated.

Stainless steel bright.

Plastic grip oil-resistant.

Note:

A neoprene thrust pad is supplied with versions K0074.0075 and K0074.0150.

An angle bracket cannot be supplied in stainless steel with versions K0074.0075N and K0074.0150N.

Accessory:

K0098

K0100

K0101

K0102

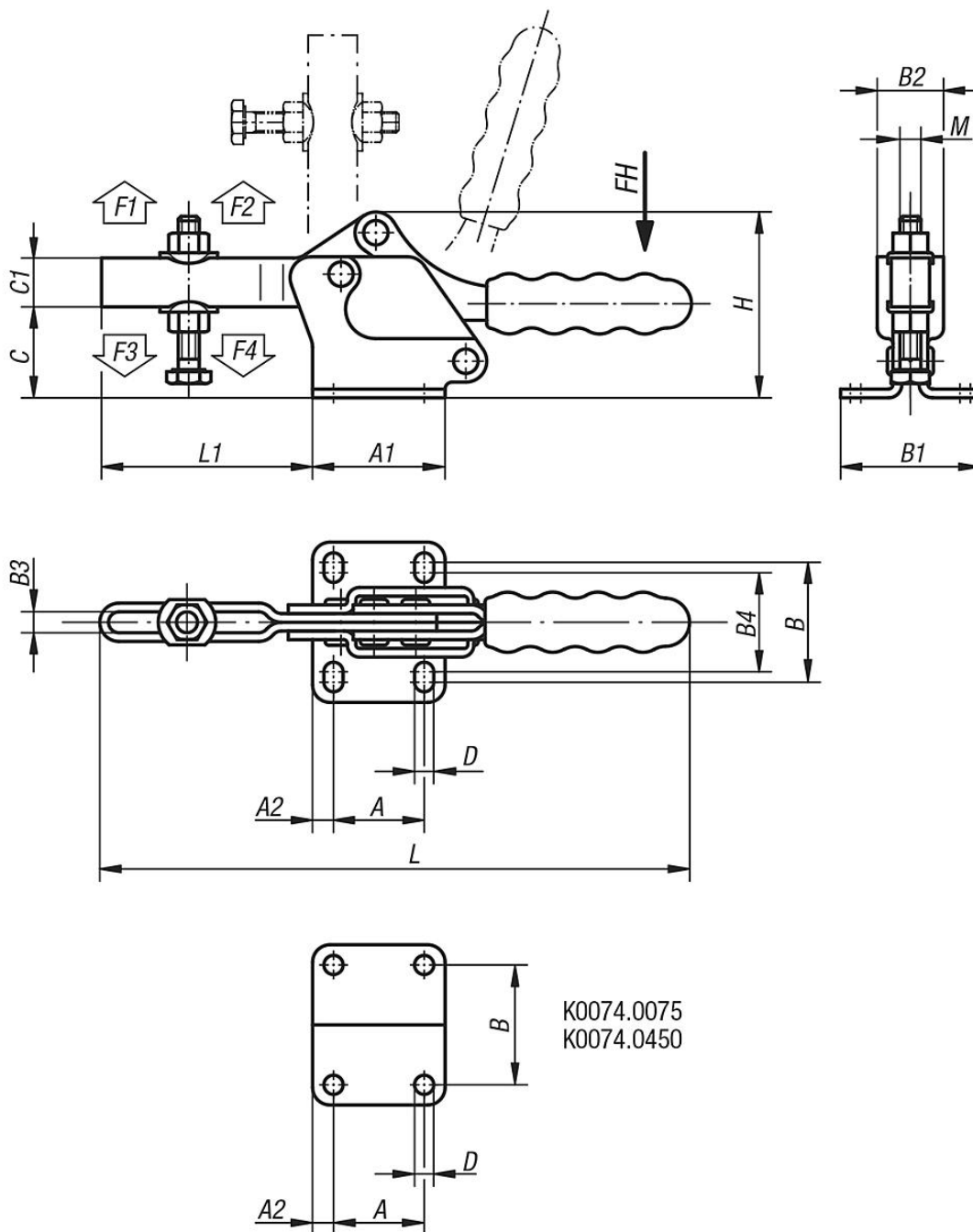
K0103

K0106

K0107

Toggle clamps horizontal with flat foot and adjustable clamping spindle

Drawings



Overview of items

Toggle clamps horizontal with flat foot and adjustable clamping spindle

Order No.	Main material	Opening angle of holding arm	Opening angle of handle	Hand force FH N	Retaining force F1 N	Retaining force F2 N	Clamping force F3 N	Clamping force F4 N	Matching plastic grip
K0074.0075	steel	90°	75°	80	500	1100	250	700	K0100.16
K0074.0150	steel	90°	80°	140	1200	2600	400	1000	K0100.20
K0074.0250	steel	95°	80°	200	1500	3500	800	1950	K0100.28
K0074.0350	steel	90°	75°	250	2500	5500	1150	3100	K0100.30
K0074.0450	steel	90°	75°	250	3000	6500	1150	3100	K0100.34
K0074.0075N	stainless steel	90°	75°	80	500	1100	250	700	K0100.16
K0074.0150N	stainless steel	90°	80°	140	1200	2600	400	1000	K0100.20

Toggle clamps horizontal with flat foot and adjustable clamping spindle

Overview of items

Order No.	Main material	A	A1	A2	B	B1	B2	B3	B4	C	C1	D	H	L	L1	M	Order No. Angle bracket
K0074.0075	steel	13,5	25	5,7	17,4	27	16	5,8	-	19	9,5	5,2	38	116	37	M5x35	K0098.02
K0074.0150	steel	26	38	6	28	40	20	6,2	22	24	14	5,5	53	170	60	M6x50	K0098.04
K0074.0250	steel	26	42	8	31	47	23	8,5	26	35	17,5	6,6	68	224	79	M8x60	K0098.04
K0074.0350	steel	41,2	59	9	43	59	30	12	39	45	24	8,7	91	274	108	M10x80	K0098.06
K0074.0450	steel	41,2	67	13	41,3	67	38	14,2	-	59	27	8,7	110	305	128	M12x100	K0098.06
K0074.0075N	stainless steel	13,5	25	5,7	17,4	27	16	5,8	-	19	9,5	5,2	38	116	37	M5x35	-
K0074.0150N	stainless steel	26	38	6	28	40	20	6,2	22	24	14	5,5	53	170	60	M6x50	-