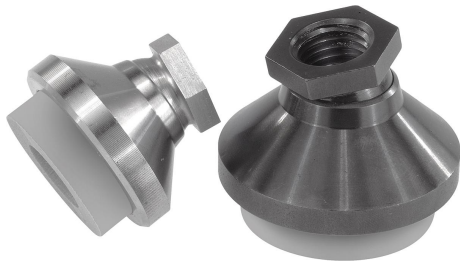


Swivel feet with vibration absorption

Item description/product images



Description

Material:

Steel version:

Foot high carbon steel.

Ball element free-cutting steel.

Stainless steel version:

Foot and ball element stainless steel.

Damper plate PUR elastomer (Sylomer V12).

Version:

Steel version:

Foot black oxidised.

Ball element case-hardened and black oxidised.

Stainless steel version:

Bright.

Anti-slip damper plate grey, glued in.

Temp. range -30 °C to +70 °C.

Note:

The load rating given in the table is a recommendation of the permanent static load to which the damping element should be used.

This static load corresponds to a surface pressure of 0.4 N/mm² at which the material achieves its optimum absorption properties. It is taken into account that under dynamic loading an additional load of up to 0.6 N/mm² may occur.

The damper plate absorbs vibrations and prevents the swivel foot slipping.

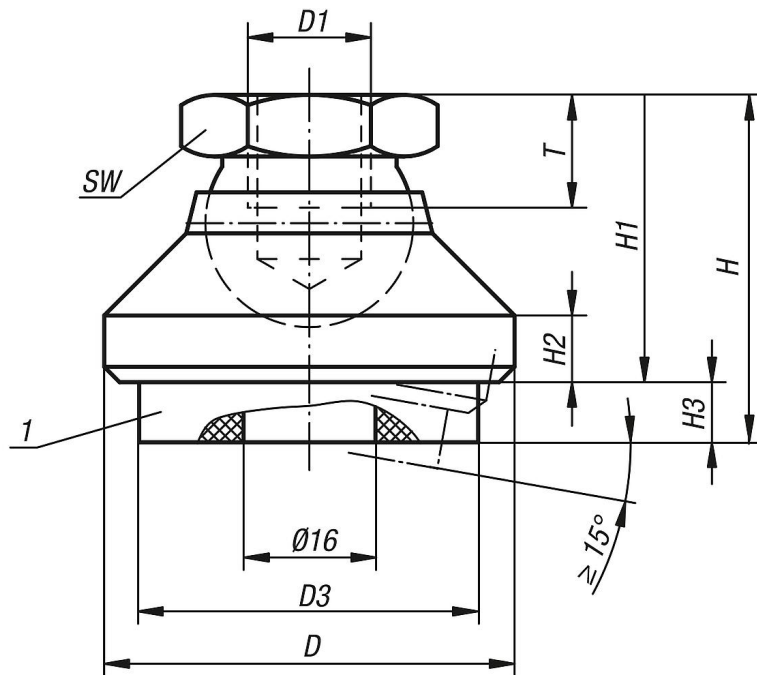
For swivel feet without vibration absorption see article No. K0395.

Drawing reference:

1) damper plate

Swivel feet with vibration absorption

Drawings



Overview of items

Swivel feet with vibration absorption

Order No.	Main material	D	D1	D3	H	H1	H2	H3 by 0 / 0.4 / 0.6 N/mm ²	T	SW	Load rating max. kN
K0420.110	steel	32	M10	30,5	30	22	5	8 / 6,8 / 5,9	10	17	0,212
K0420.112	steel	40	M12	30,5	34	26	6	8 / 6,8 / 5,9	12	19	0,212
K0420.116	steel	50	M16	40,5	40	32	7	8 / 6,8 / 5,9	14	24	0,435
K0420.120	steel	60	M20	50	50	42	8	8 / 6,8 / 5,9	18	30	0,705
K0420.310	stainless steel	32	M10	30,5	30	22	5	8 / 6,8 / 5,9	10	17	0,212
K0420.312	stainless steel	40	M12	30,5	34	26	6	8 / 6,8 / 5,9	12	19	0,212
K0420.316	stainless steel	50	M16	40,5	40	32	7	8 / 6,8 / 5,9	14	24	0,435
K0420.320	stainless steel	60	M20	50	50	42	8	8 / 6,8 / 5,9	18	30	0,705