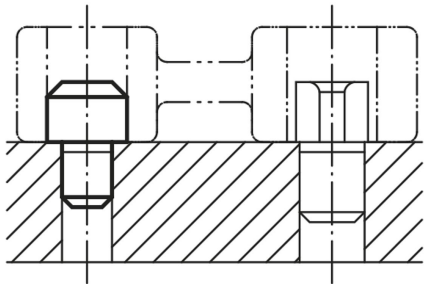


Positioning pins cylindrical not ground

Item description/product images



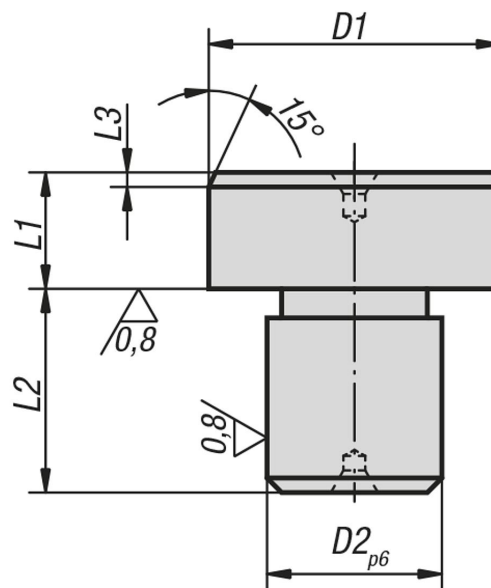
Description

Material:
Tool steel.

Version:
Hardened.

Note:
Top face with centrebore.

Drawings



Overview of items

Cylindrical positioning pins, not ground

Order No.	D1	D2	L1	L2	L3
K0353.05	8,5	5	8	8	2
K0353.07	10,5	7	8	8	2
K0353.08	12,5	8	8	10	2
K0353.081	14,5	8	8	10	3
K0353.09	16,5	9	8	12	3
K0353.12	18,5	12	8	12	3
K0353.121	20,5	12	8	14	3
K0353.14	22,5	14	8	14	3

Positioning pins cylindrical not ground

Overview of items

Order No.	D1	D2	L1	L2	L3
K0353.16	25,5	16	8	16	3