

## Rubber buffers spherical

### Item description/product images



### Description

#### Material:

Metal parts steel, grade 5.6.

Elastomer natural rubber, medium hardness, Shore 55A.

#### Version:

Steel electro zinc-plated.

#### Note:

Rubber buffers are robust and effective elastic cushioning elements and shock absorbers. These buffers are ideal for elastic travel limitation and cushioning knocks by mobile and immobile aggregates and machines and as use as door stops.

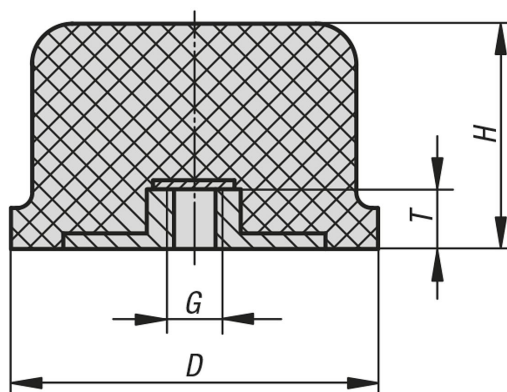
#### Temperature range:

-30°C to +80°C.

#### On request:

Other Shore grades.

### Drawings



### Overview of items

#### Rubber buffers, spherical

Order No.	D	H	G	T	Spring stiffness N/mm	Load N
K0576.05003555	50	35	M10	10	120	3000
K0576.08006055	80	60	M12	12	150	11000
K0576.12509055	125	93	M16	16	200	20000