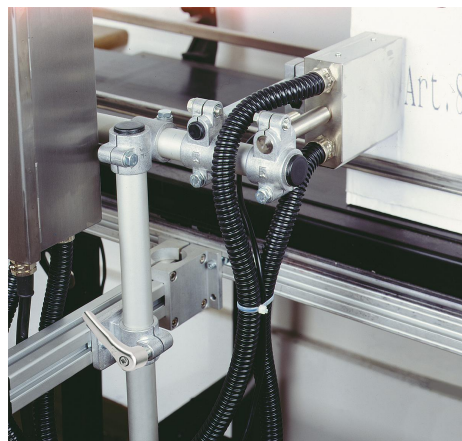
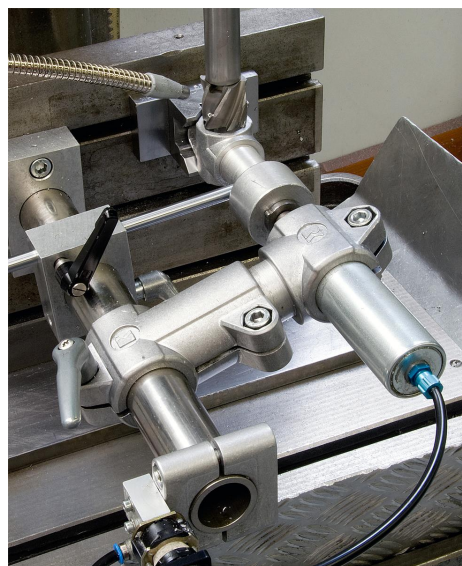


## Tube clamps swivel half raised teeth, plastic

### Item description/product images



### Description

#### Material:

Thermoplastic.

DIN 7984 screws and DIN 985 nuts steel.

#### Note:

Swivel half clamps with raised teeth can be combined with swivel half clamps with sunken teeth (K0484, K0486 or K0487) to make a complete swivel clamp.

The standard size for round tubes is  $\varnothing 18$  mm or  $\varnothing 30$  mm. Use reducer sleeves K0492 if smaller tubes are to be clamped or a conversion from round to square tubes is required.

#### Assembly:

K0485.18 and K0484.18 can be combined using a DIN 985 M6 nut (K1148) and a DIN 6912 M6x18 cap screw (K1160).

K0485.30 and K0484.30 can be combined using a DIN 985 M8 nut (K1148) and a DIN 6912 M8x25 cap screw (K1160).

#### On request:

Plastic levers for locking.

#### Accessory:

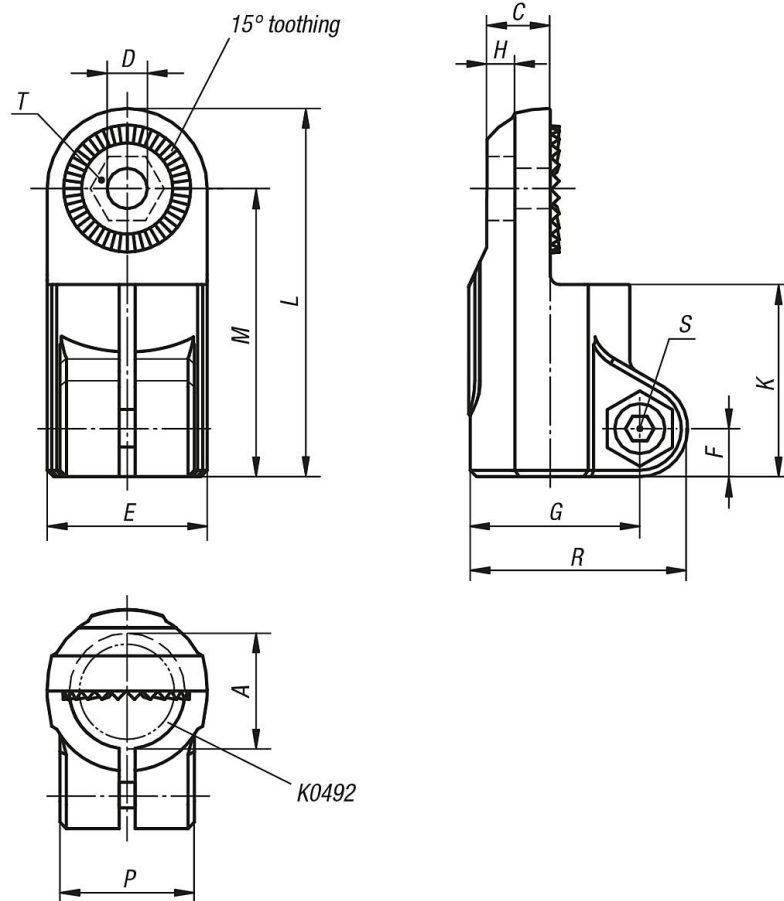
- Reducer sleeves K0492
- Round and square tubes K0493

# Tube clamps swivel half raised teeth, plastic

## Item description/product images



## Drawings



## Overview of items

### Tube clamps swivel half, raised teeth, plastic

## Tube clamps swivel half raised teeth, plastic

### Overview of items

| Order No.       | A  | C    | D   | E  | F   | G    | H   | K  | L    | M  | P    | R    | S     | T          |
|-----------------|----|------|-----|----|-----|------|-----|----|------|----|------|------|-------|------------|
| <b>K0485.18</b> | 18 | 9,9  | 6,1 | 25 | 7,5 | 26,5 | 5,9 | 30 | 57,5 | 45 | 21   | 34   | M6x18 | M6-DIN 985 |
| <b>K0485.30</b> | 30 | 16,5 | 8,1 | 40 | 11  | 41,5 | 6,5 | 45 | 88   | 68 | 28,5 | 52,5 | M8x25 | M8-DIN 985 |