

Rubber buffers stainless steel, type D

Item description/product images



Description

Material:

Metal parts 1.4401 stainless steel.

Elastomer natural rubber, medium hardness Shore 55A, grey.

Version:

Stainless steel bright.

Note:

Rubber buffers are used, among other things for mounting aggregates and as elastic buffers to limit the travel of moving masses or as feet that are not firmly fixed in the floor or where the floor is sensitive i.e. office equipment.

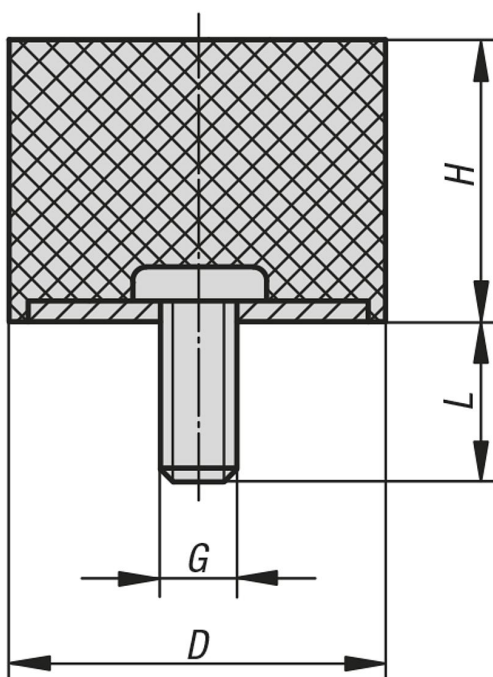
Temperature range:

-30°C to +80°C.

On request:

Metal parts 1.4301 stainless steel.

Drawings



Overview of items

Rubber buffers, stainless steel, type D

Order No.	Main material	Main colour	D	H	G	L	Spring stiffness N/mm	Load N
K1318.00800855	stainless steel	-	8	8	M3	6	40	40
K1318.01001055	stainless steel	-	10	10	M4	10	35	35
K1318.01001555	stainless steel	-	10	15	M4	10	26	40
K1318.01500855	stainless steel	-	15	8	M4	10	187	187

Rubber buffers stainless steel, type D

Overview of items

Order No.	Main material	Main colour	D	H	G	L	Spring stiffness N/mm	Load N
K1318.01501055	stainless steel	-	15	10	M4	10	100	100
K1318.02000855	stainless steel	-	20	8	M6	18	250	250
K1318.02001055	stainless steel	-	20	10	M6	18	240	240
K1318.02001555	stainless steel	-	20	15	M6	18	110	220
K1318.02002055	stainless steel	-	20	20	M6	18	75	225
K1318.02500855	stainless steel	-	25	8	M6	18	850	850
K1318.02501055	stainless steel	-	25	10	M6	18	400	400
K1318.02501555	stainless steel	-	25	15	M6	18	210	420
K1318.02502055	stainless steel	-	25	20	M6	18	140	420
K1318.02502555	stainless steel	-	25	25	M6	18	100	350
K1318.03001555	stainless steel	-	30	15	M8	23	270	540
K1318.03002055	stainless steel	-	30	20	M8	23	238	714
K1318.03003055	stainless steel	-	30	30	M8	23	127	508
K1318.03004055	stainless steel	-	30	40	M8	23	88	528
K1318.04001555	stainless steel	-	40	15	M8	23	710	1420
K1318.04002055	stainless steel	-	40	20	M8	23	365	1095
K1318.04003055	stainless steel	-	40	30	M8	23	205	820
K1318.05002055	stainless steel	-	50	20	M10	28	646	1938
K1318.05003055	stainless steel	-	50	30	M10	28	354	1416
K1318.05004055	stainless steel	-	50	40	M10	28	230	1380