

## Clamping levers antibacterial internal thread, plastic grip, metal parts stainless steel

Item description/product images



lift to  
disengage



### Description

#### Material:

Handles slate grey reinforced plastic, toothed ring die-cast zinc.  
Steel parts stainless steel 1.4305.

#### Version:

Stainless steel bright.

#### Application:

The antibacterial KIPP MEDI grip products are highly effective against a variety of hazardous microorganisms, such as bacteria, fungi, viruses and even multi-resistant bacteria (e.g. MRSA).

The plastic used incorporates micro-silver particles with an antimicrobial effect to ensure effective results throughout the entire product life cycle.

#### Function:

Silver ions are effective in preventing harmful microorganisms from forming on the product surface, promoting a constant reduction of the existing germs on the MEDI grip products (as tested and confirmed by an accredited testing laboratory).

During cleaning cycles the risk of infection while touching these products is significantly lower.

#### Advantages:

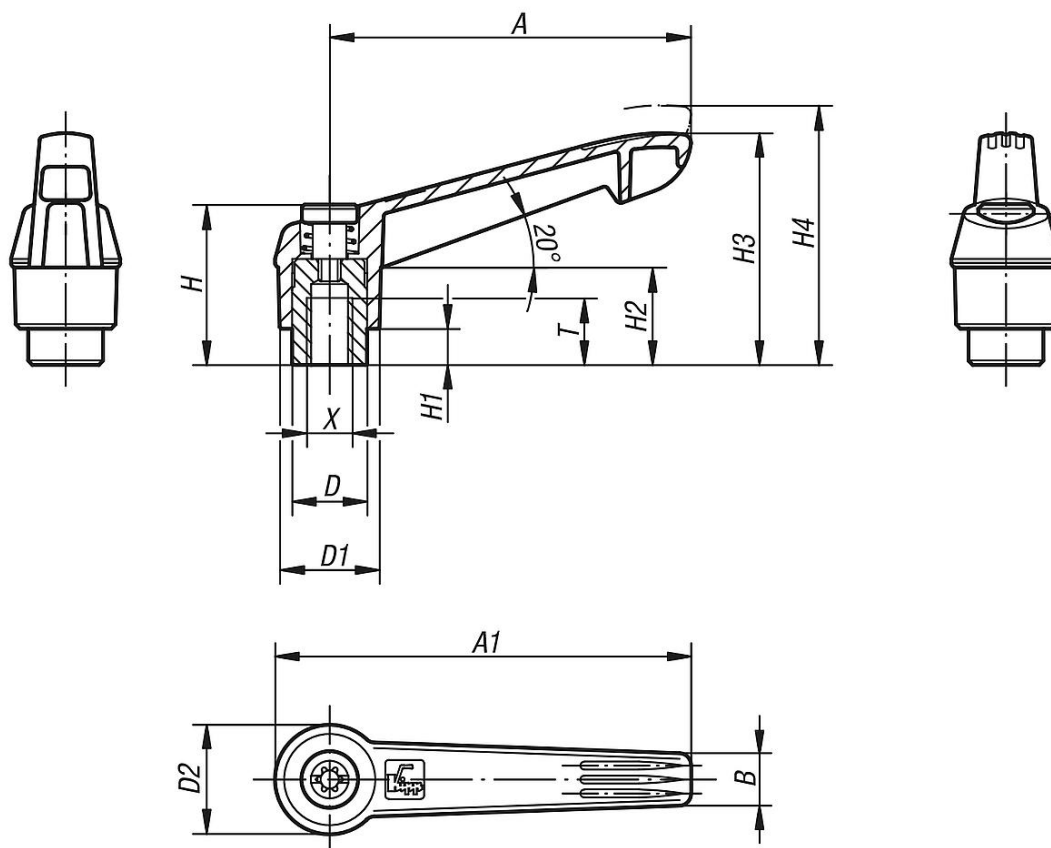
Resistant to humidity and cleaning products (during disinfection) with no toxic side effects.

#### Applications:

For installation on machines, equipment, plants and furnishings in areas with increased hygienic requirements (including hospitals, doctors' surgeries, rehabilitation centres and food production facilities), as well as for use in public areas or regularly frequented institutions (i.e. nursing homes or daycare centres).

**Clamping levers antibacterial internal thread, plastic grip, metal parts stainless steel**

Drawings



**Overview of items**

Order No.	Main colour	Size	X	T	D	D1	D2	H	H1	H2	H3	H4	A	A1	B	No. of teeth
<b>K0270.12206144</b>	slate grey RAL 7015	2	M6	12	13,5	18	19,5	28,5	6,5	17,5	41,5	45,5	65	75	9,5	20
<b>K0270.12208144</b>	slate grey RAL 7015	2	M8	12	13,5	18	19,5	28,5	6,5	17,5	41,5	45,5	65	75	9,5	20