

Palm grips similar to DIN 6335

Item description/product images



Description

Material:

Black thermoset PF 31.

Bush and screw electro zinc-plated steel.

Version:

High-gloss polished.

Drawing reference:

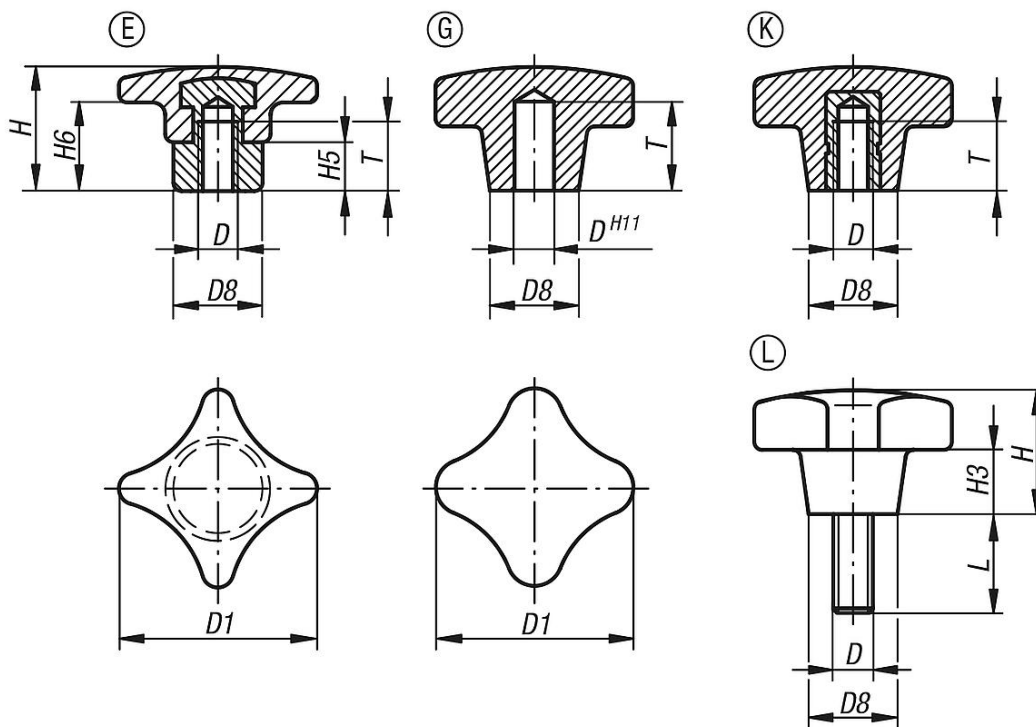
Form E: projecting steel bush

Form G: blind hole

Form K: tapped bush

Form L: external thread

Drawings



Overview of items

Palm grips similar to DIN 6335, Form E

Order No.	Form	D	D1	D8	H	H3	H5	H6	L	T
K0148.306	E	M6	32	12	23	-	9	12	-	12
K0148.308	E	M8	40	14	26	-	10	13	-	15
K0148.310	E	M10	50	18	32	-	12	18	-	18
K0148.312	E	M12	63	20	40	-	14	23	-	22
K0148.316	E	M16	80	25	50	-	17	28	-	28
K0148.405	G	5	25	12	16	8	-	-	-	12
K0148.406	G	6	32	14	20	10	-	-	-	15
K0148.408	G	8	40	18	25	13	-	-	-	18
K0148.410	G	10	50	22	32	20	-	-	-	21

Palm grips similar to DIN 6335

Overview of items

Order No.	Form	D	D1	D8	H	H3	H5	H6	L	T
K0148.412	G	12	63	26	40	25	-	-	-	25
K0148.205	K	M5	25	12	16	8	-	-	-	9,5
K0148.206	K	M6	32	14	20	10	-	-	-	12
K0148.208	K	M8	40	18	25	13	-	-	-	14
K0148.210	K	M10	50	22	32	20	-	-	-	18
K0148.212	K	M12	63	26	40	25	-	-	-	22
K0148.216	K	M16	80	35	50	30	-	-	-	30
K0148.505X15	L	M5	25	12	16	8	-	-	15	-
K0148.505X20	L	M5	25	12	16	8	-	-	20	-
K0148.505X25	L	M5	25	12	16	8	-	-	25	-
K0148.505X30	L	M5	25	12	16	8	-	-	30	-
K0148.505X40	L	M5	25	12	16	8	-	-	40	-
K0148.505X50	L	M5	25	12	16	8	-	-	50	-
K0148.506X15	L	M6	32	14	20	10	-	-	15	-
K0148.506X20	L	M6	32	14	20	10	-	-	20	-
K0148.506X25	L	M6	32	14	20	10	-	-	25	-
K0148.506X30	L	M6	32	14	20	10	-	-	30	-
K0148.506X40	L	M6	32	14	20	10	-	-	40	-
K0148.506X50	L	M6	32	14	20	10	-	-	50	-
K0148.508X20	L	M8	40	18	25	13	-	-	20	-
K0148.508X25	L	M8	40	18	25	13	-	-	25	-
K0148.508X30	L	M8	40	18	25	13	-	-	30	-
K0148.508X35	L	M8	40	18	25	13	-	-	35	-
K0148.508X40	L	M8	40	18	25	13	-	-	40	-
K0148.508X45	L	M8	40	18	25	13	-	-	45	-
K0148.508X50	L	M8	40	18	25	13	-	-	50	-
K0148.510X20	L	M10	50	22	32	20	-	-	20	-
K0148.510X25	L	M10	50	22	32	20	-	-	25	-
K0148.510X30	L	M10	50	22	32	20	-	-	30	-
K0148.510X35	L	M10	50	22	32	20	-	-	35	-
K0148.510X40	L	M10	50	22	32	20	-	-	40	-
K0148.510X45	L	M10	50	22	32	20	-	-	45	-
K0148.510X50	L	M10	50	22	32	20	-	-	50	-
K0148.512X20	L	M12	63	26	40	25	-	-	20	-
K0148.512X30	L	M12	63	26	40	25	-	-	30	-
K0148.512X40	L	M12	63	26	40	25	-	-	40	-
K0148.512X50	L	M12	63	26	40	25	-	-	50	-
K0148.512X60	L	M12	63	26	40	25	-	-	60	-

Palm grips similar to DIN 6335, Form G

Order No.	Form	D	D1	D8	H	H3	T
K0148.405	G	5	25	12	16	8	12
K0148.406	G	6	32	14	20	10	15
K0148.408	G	8	40	18	25	13	18
K0148.410	G	10	50	22	32	20	21
K0148.412	G	12	63	26	40	25	25