

## Toggle clamps vertical with angled foot and full holding arm

### Item description/product images



### Description

**Material:**

Steel.

**Version:**

Electro zinc-plated steel.  
Plastic handle, oil-resistant.

**Note:**

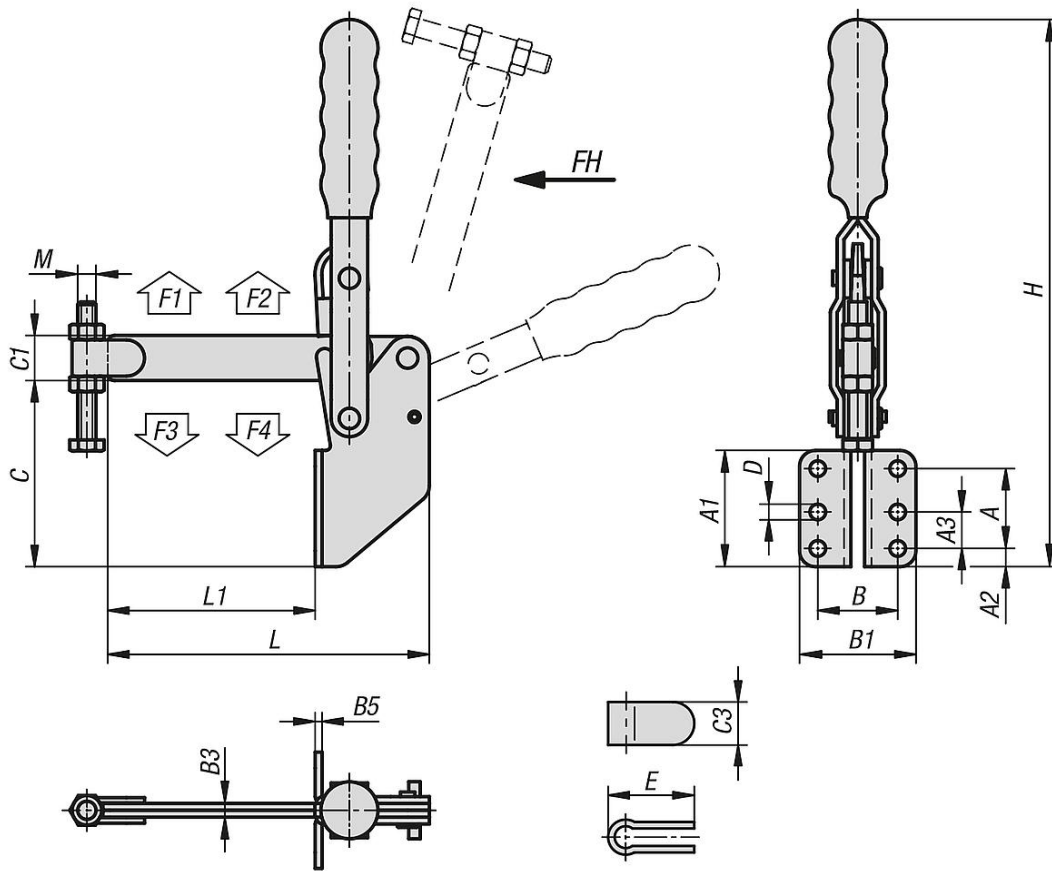
spindle bracket weldable.

**Accessory:**

K0688  
K0689  
K0690  
K0101  
K1442  
K0102  
K0103  
K1443  
K0104  
K0106

# Toggle clamps vertical with angled foot and full holding arm

## Drawings



## Overview of items

### Toggle clamps vertical with angled foot and full holding arm

Order No.	Opening angle of holding arm				Opening angle of handle				Hand force FH N	Retaining force F1 N	Retaining force F2 N	Clamping force F3 N		Clamping force F4 N			
K1437.03600	106°				67°				100	2000	3600	900		1800			
Order No.	A	A1	A2	A3	B	B1	B3	B5	C	C1	C3	D	E	H	L	L1	M
K1437.03600	35	51	8	16	35	51	6	3	82	19	16	6,8	31	244	143	93	M8x60