

Dust caps

Item description/product images



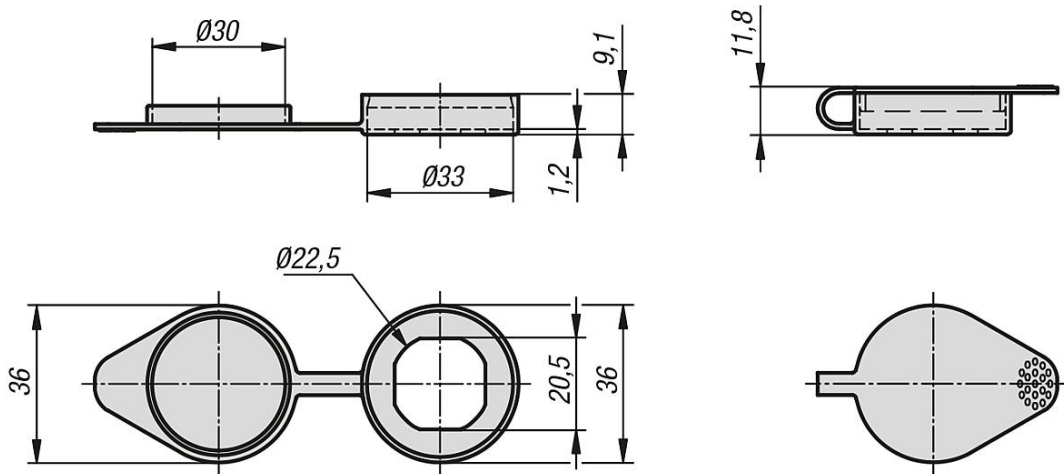
Description

Material:
Thermoplastic plastic (PU).

Version:
black.

Note:
Dust caps for compression latches with a head diameter up to max. 32 mm. It offers increased protection from dust and moisture. If the dust cap is used, dimension "A" of the compression latch is reduced by 1 mm.

Drawings



Overview of items

Dust caps

Order No.

K0533.202230