

Cylindrical grips revolving

Item description/product images



Description

Product description:

The harmonic interplay of form and function make these NOVO grip cylindrical grips to a universally applicable product. The quality is characterised by aesthetics, reliability and perfect handling.

Material:

Black grey thermoplastic.

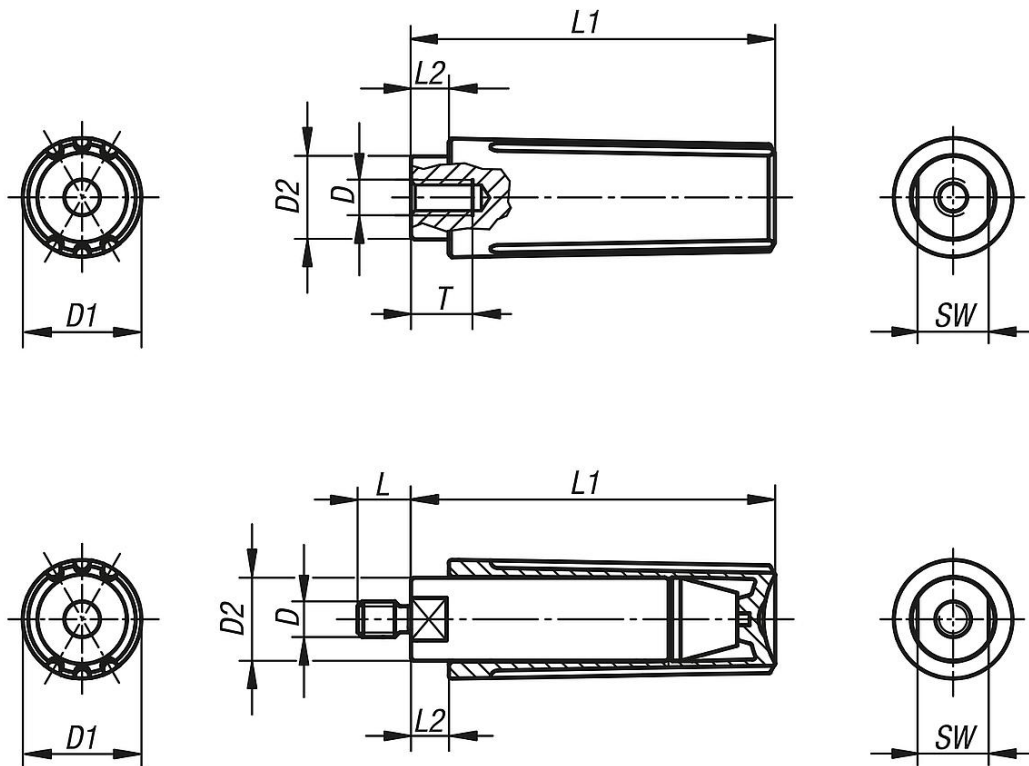
Version:

Steel parts black oxidised.

Note:

Cylindrical grips are supplied assembled and can be screwed onto our handwheels, crank handles etc.

Drawings



Overview of items

Cylindrical grips revolving with female thread

Order No.	D	D1	D2	L1	L2	T	SW
K0263.1104	M4	13	9	40	5	8	8
K0263.1205	M5	16	11	49,1	5,1	10	10
K0263.1306	M6	20	14	61,4	6,4	12	12
K0263.1408	M8	25	18	83	12,5	16	15

Cylindrical grips revolving

Overview of items

Cylindrical grips revolving with male thread

Order No.	D	D1	D2	L	L1	L2	SW
K0263.104	M4	13	9	6	40	5	8
K0263.205	M5	16	11	7,5	49,1	5,1	10
K0263.306	M6	20	14	9	61,4	6,4	12
K0263.408	M8	25	18	12	83	12,5	15