

Magnets shallow pot with counterbore hard ferrite

Item description/product images



Description

Material:

Housing, steel.

Magnetic core hard ferrite.

Version:

Housing, electro zinc-plated.

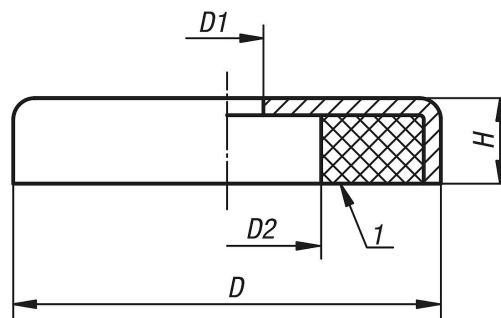
Note:

Shielded system.

Drawing reference:

1) magnetic face

Drawings



Overview of items

Magnets shallow pot with counterbore hard ferrite

Order No.	D	D1	D2	H	Magnetic force N
K0554.50	50 ±0,20	8,5	22	10	180
K0554.63	63 ±0,20	6,5	24	14	290
K0554.80	80 ±0,25	6,5	11,5	18	540