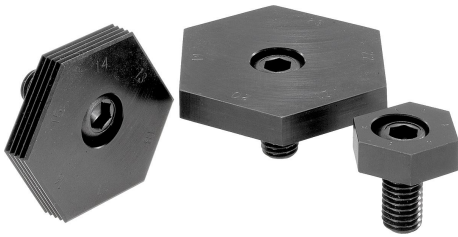


## Fixture clamps unequal hexagon

### Item description/product images



### Description

#### Material:

Cam screw steel tempered to 10.9.  
Hexagon washer mild steel.

#### Version:

Cam screw black oxidised.  
Hexagon washer hardened and black oxidised.

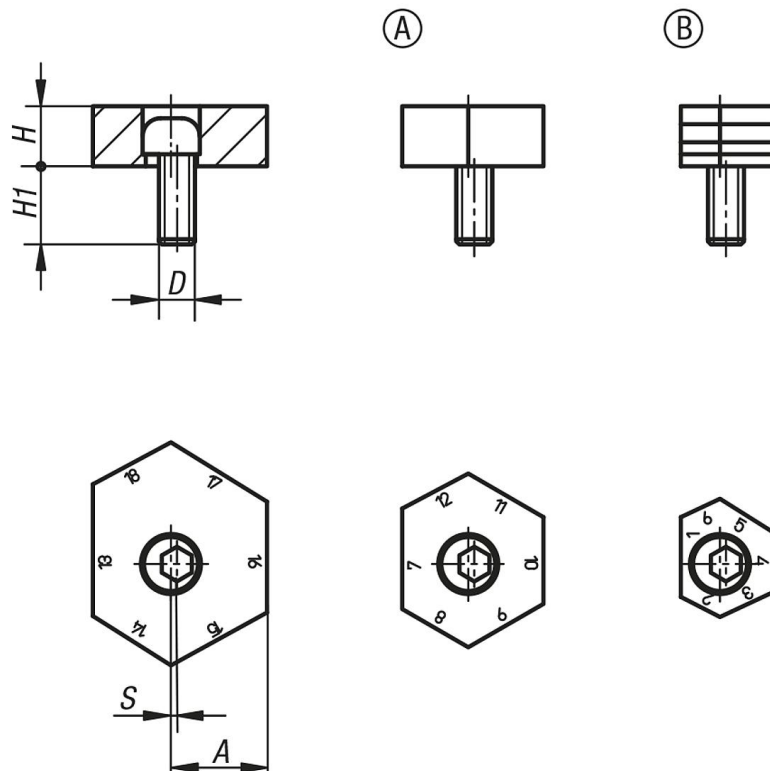
#### Note:

These unequal hexagon fixture clamps can minimise the cost of clamping in fixtures. The clamping range can be altered up to 17 mm from the same tapped hole. Simply rotate the hexagon washer.  
The washers are available with smooth edges for machined faces or with serrated edges for rough faces.

#### On request:

Replacement cam screws.

### Drawings



### Overview of items

### Fixture clamps unequal hexagon

## Fixture clamps unequal hexagon

### Overview of items

Order No.	Form	Version	Distance A by face No.	D	H	H1	S (cam travel)	Clamping force kN
K0023.09	A	smooth	1/12, 2/13, 3/14, 4/15, 5/16, 6/17	M12	10	22	1	18
K0023.10	A	smooth	7/18, 8/19, 9/20, 10/21, 11/22, 12/23	M12	10	22	1	18
K0023.11	A	smooth	13/24, 14/25, 15/26, 16/27, 17/28, 18/29	M12	10	22	1	18
K0023.13	B	serrated	1/12, 2/13, 3/14, 4/15, 5/16, 6/17	M12	10	22	1	18
K0023.14	B	serrated	7/18, 8/19, 9/20, 10/21, 11/22, 12/23	M12	10	22	1	18
K0023.15	B	serrated	13/24, 14/25, 15/26, 16/27, 17/28, 18/29	M12	10	22	1	18