

## Bullseye levels with bead-edged frame

### Item description/product images



Winkelminute	Grad in Dezimalform	Höhenunterschied in Millimeter pro Meter
1'	0,0167°	0,291 mm
5'	0,0833°	1,455 mm
10'	0,1667°	2,910 mm
20'	0,3333°	5,820 mm
25'	0,4167°	7,275 mm
30'	0,5000°	8,730 mm
40'	0,6667°	11,640 mm
50'	0,8333°	14,550 mm
53'	0,8833°	15,423 mm

### Description

#### Material:

Frame brass.

Bullseye level body polyamide.

#### Version:

Nickel-plated and high-gloss polished.

#### Note:

Bubble levels are used as a type of zero indicator instrument for checking horizontal inclination in e.g. spirit levels, inclinometers, metrology instruments and machine constructions.

- Sensitivity in angular minutes for 2 mm bubble travel
- The bullseye level is calibrated to underside of the flange
- Bead edge with serrations for recessing
- Clear filling
- Black contrast ring
- White level base

#### Temperature range:

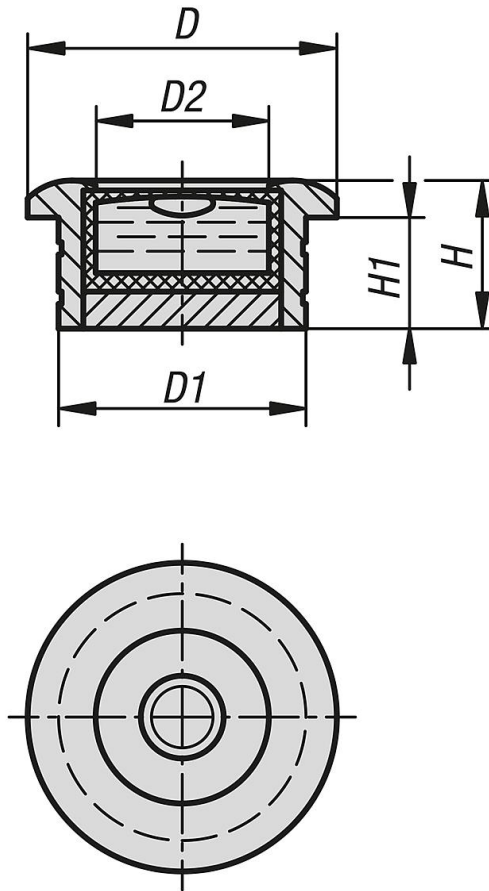
-35 °C up to +55 °C.

#### Assembly:

- Measure the level body
- Assemble by pressing in a hole that is 0.02 mm–0.03 mm smaller than the  $\emptyset$  of the level body
- A chamfer on the hole will ease pressing in

**Bullseye levels with bead-edged frame**

Drawings



Overview of items

**Bullseye levels with bead-edge frame**

Order No.	D	D1	D2	H	H1	Sensitivity
K1152.181030	20	18	12	10	8	30'
K1152.201230	25	20	14	12	9	30'
K1152.281330	30	28	20	13	10	30'