

## Tubular handles angled

### Item description/product images



### Description

#### Material:

Leg glass-bead reinforced thermoplastic.  
Grip aluminium tube.

#### Version:

Black thermoplastic.  
Anodised aluminium.

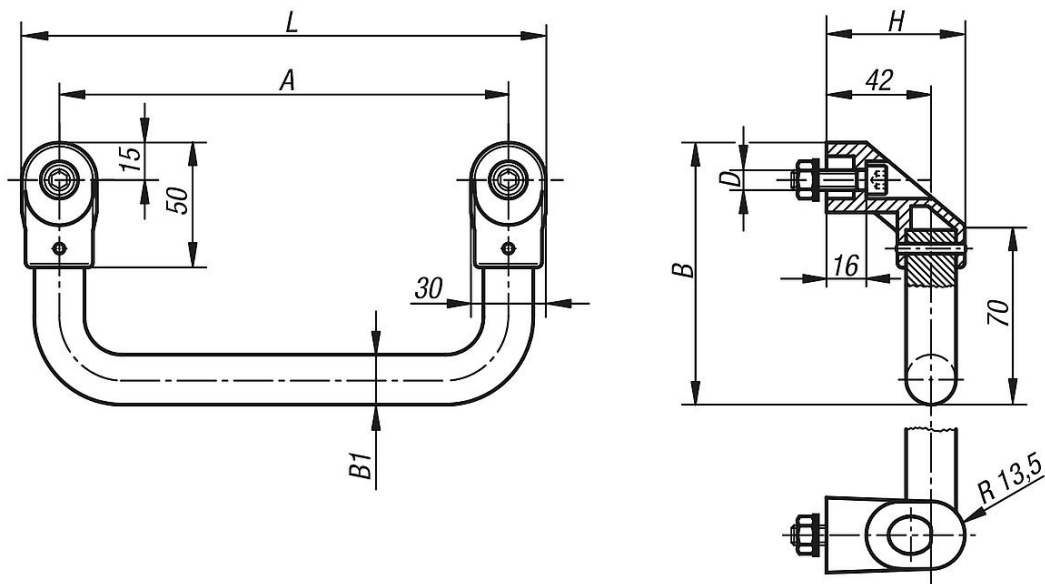
#### Note:

The legs are pinned to the aluminium tube. Black electro zinc-plated cap screws, nuts and washers are supplied.

#### Assembly:

From the front.

### Drawings



### Overview of items

#### Tubular handles angled

Order No.	Main colour	A	B	B1	D	H	L	Load capacity N
K0220.2001	natural	200	115	20	M8X30	55,5	230	800
K0220.2501	natural	250	115	20	M8X30	55,5	280	800
K0220.3001	natural	300	115	20	M8X30	55,5	330	800
K0220.3501	natural	350	115	20	M8X30	55,5	380	800
K0220.4001	natural	400	115	20	M8X30	55,5	430	800
K0220.2002	black	200	115	20	M8X30	55,5	230	800
K0220.2502	black	250	115	20	M8X30	55,5	280	800
K0220.3002	black	300	115	20	M8X30	55,5	330	800
K0220.3502	black	350	115	20	M8X30	55,5	380	800
K0220.4002	black	400	115	20	M8X30	55,5	430	800

