

## Clamping levers with female thread and collar for Freudenberg Process Seals Hygienic USIT® sealing and shim washer

Item description/product images



press to  
engage  
(safety function)



### Description

#### Material:

Metal parts stainless steel 1.4404.  
Shaft seal 70 EPDM 291.

#### Version:

High-gloss polished.

#### Note:

Clamping lever designed for the hygienic sector. The completely closed grip part and the shaft seal prevent contamination of the lever internal workings. Additionally, the screw insert has a conical collar so that the fastening point can be hygienically sealed with the Hygienic USIT® sealing and shim washer.

Due to the extremely high surface finish quality of much less than Ra 0.8 µm, hardly any dirt particles adhere to the surface. The highly polished surfaces enable easy cleaning

At rest, the lever is freely rotatable. Unintended opening of the lever is excluded. The toothing is protected against high wear for mounting on vibrating elements.

#### On request:

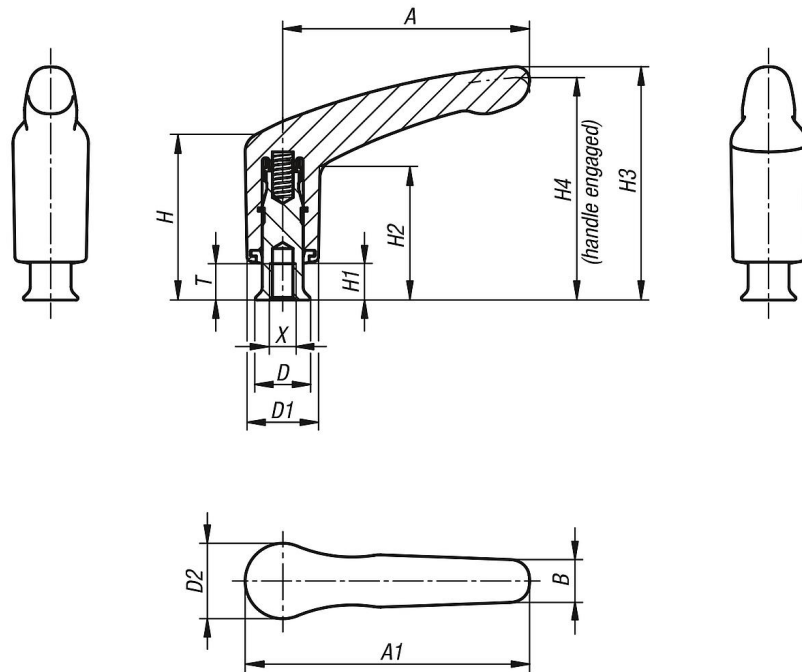
Other thread depths and inch threads.

#### Accessory:

Hygienic USIT® sealing and shim washer K1326.

## Clamping levers with female thread and collar for Freudenberg Process Seals Hygienic USIT® sealing and shim washer

Drawings



### Overview of items

#### Clamping levers with female thread and collar for Freudenberg Process Seals Hygienic USIT® sealing and shim washer

Order No.	X	T	D	D1	D2	H	H1	H2	H3	H4	A	A1	B	No. of teeth
K1316.106	M6	10	14,2	21	21,7	36,7	8,8	27	50,6	47,6	47,4	58,2	11,8	16
K1316.206	M6	10	14,2	21	22,1	45,7	10,7	36,8	64,1	61,1	66,5	77,5	13	16
K1316.208	M8	14	18	21	22,1	45,7	10,7	36,8	64,1	61,1	66,5	77,5	13	16
K1316.308	M8	12	18	23,6	24,9	54,7	12,1	44	77	73,5	81,5	94	14,2	20
K1316.310	M10	15	22,3	23,6	24,9	54,7	12,1	44	77	73,5	81,5	94	14,2	20
K1316.312	M12	19	26,6	23,6	24,9	54,7	12,1	44	77	73,5	81,5	94	14,2	20