

Ring nuts DIN 582

Item description/product images



Description

Material:

1.1141 steel or 1.4301 stainless steel.

Version:

Steel: drop forged.

Stainless steel: cast.

Note:

DIN 582 steel ring nuts:

Stainless steel ring nuts similar to DIN 582:

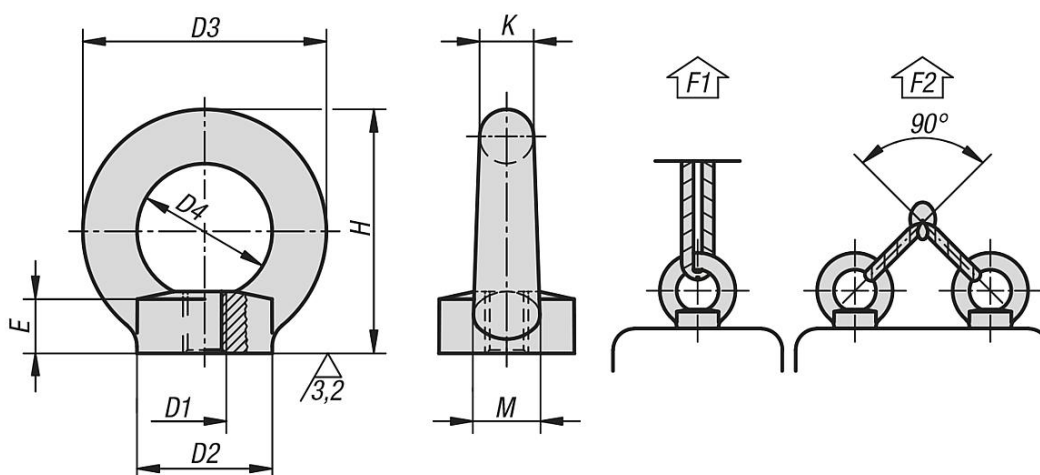
For light requirements, e.g. fence construction, chain barriers and light machining.

F2 load handling with max. 45° sling angle per ring nut.

On request:

Available with CE marking and certificate of conformity.

Drawings



Overview of items

Ring nuts DIN 582

Order No.	Main material	Steel code	D1	D2	D3	D4	E	H	K	M	F1 max. kN	F2 max. kN	Permissible load kg
K0768.08	steel	1.1141	M8	20	36	20	8,5	36	8	10	1,4	0,95	96,9
K0768.10	steel	1.1141	M10	25	45	25	10	45	10	12	2,3	1,7	173,4
K0768.12	steel	1.1141	M12	30	54	30	11	53	12	14	3,4	2,4	244,8
K0768.16	steel	1.1141	M16	35	63	35	13	62	14	16	7	5	510
K0768.20	steel	1.1141	M20	40	72	40	16	71	16	19	12	8,3	846,6
K0768.24	steel	1.1141	M24	50	90	50	20	90	20	24	18	12,7	1295,4
K0768.108	stainless steel	1.4301	M8	20	36	20	8,5	36	8	10	1,4	0,95	96,9
K0768.110	stainless steel	1.4301	M10	25	45	25	10	45	10	12	2,3	1,7	173,4
K0768.112	stainless steel	1.4301	M12	30	54	30	11	53	12	14	3,4	2,4	244,8
K0768.116	stainless steel	1.4301	M16	35	63	35	13	62	14	16	7	5	510
K0768.120	stainless steel	1.4301	M20	40	72	40	16	71	16	19	12	8,3	846,6
K0768.124	stainless steel	1.4301	M24	50	90	50	20	90	20	24	18	12,7	1295,4
K0768.208	stainless steel	1.4401	M8	20	36	20	8,5	36	8	10	1,4	0,95	96,9

Ring nuts DIN 582

Overview of items

Order No.	Main material	Steel code	D1	D2	D3	D4	E	H	K	M	F1 max. kN	F2 max. kN	Permissible load kg
K0768.210	stainless steel	1.4401	M10	25	45	25	10	45	10	12	2,3	1,7	173,4
K0768.212	stainless steel	1.4401	M12	30	54	30	11	53	12	14	3,4	2,4	244,8
K0768.216	stainless steel	1.4401	M16	35	63	35	13	62	14	16	7	5	510
K0768.220	stainless steel	1.4401	M20	40	72	40	16	71	16	19	12	8,3	846,6
K0768.224	stainless steel	1.4401	M24	50	90	50	20	90	20	24	18	12,7	1295,4