

## Knurled nuts flat steel and stainless steel, DIN 467

### Item description/product images



### Description

#### Material:

Steel 1.0718.

Stainless steel 1.4305.

#### Version:

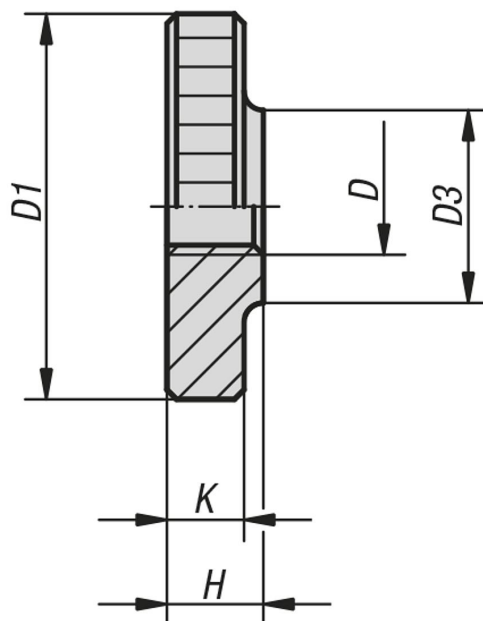
Steel black oxidised.

Stainless steel bright.

#### Note:

M12 flat knurled nuts are not included in the official standards sheet.

### Drawings



### Overview of items

#### Knurled nuts flat, steel and stainless steel, DIN 467

Order No.	Main material	D	D1	D3	H	K
K0144.04	steel	M4	16	8	4	3,5
K0144.05	steel	M5	20	10	5	4
K0144.06	steel	M6	24	12	6	5
K0144.08	steel	M8	30	16	8	6
K0144.10	steel	M10	36	20	10	8
K0144.12	steel	M12	36	20	10	8
K0144.042	stainless steel	M4	16	8	4	3,5
K0144.052	stainless steel	M5	20	10	5	4

**Knurled nuts flat steel and stainless steel, DIN 467****Overview of items**

Order No.	Main material	D	D1	D3	H	K
<b>K0144.062</b>	stainless steel	M6	24	12	6	5
<b>K0144.082</b>	stainless steel	M8	30	16	8	6
<b>K0144.102</b>	stainless steel	M10	36	20	10	8
<b>K0144.122</b>	stainless steel	M12	36	20	10	8