

Quarter-turn locks, stainless steel

Item description/product images



Description

Material:

Quarter-turn lock 1.4401 stainless steel.

Tongue 1.4301 stainless steel.

Version:

Bright.

Note:

The lock can be installed pre-assembled and has a 90° closing angle. It is protected against water and dust according to IP65 of EN 60529.

Accessory:

Key K0535

Drawing reference:

Actuation:

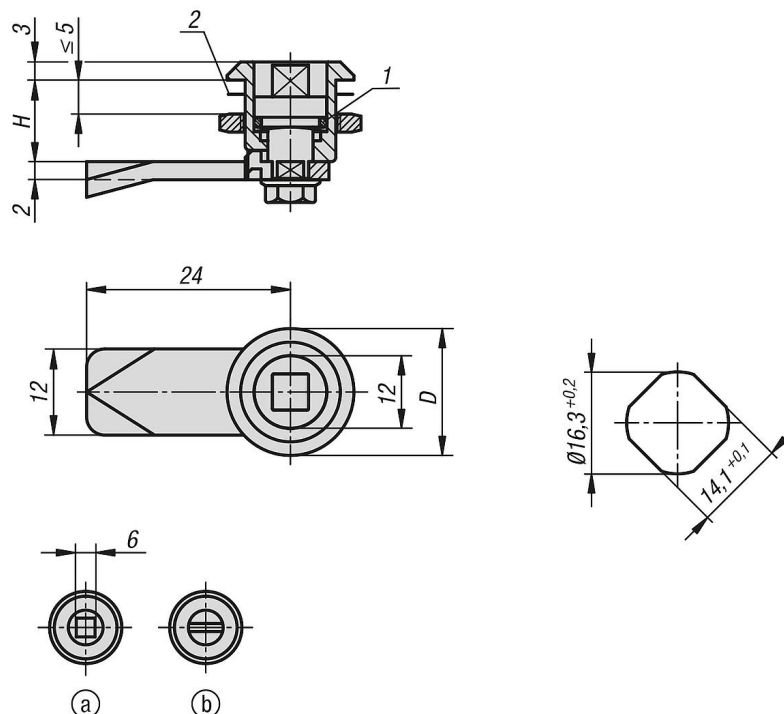
a) square 6 mm

b) slot

1) O-ring

2) flat seal

Drawings



Overview of items

Quarter-turn locks, stainless steel

Quarter-turn locks, stainless steel**Overview of items**

Order No.	Actuation	D	H
K1360.1613	square 6 mm	20	13,5
K1360.2013	slot	20	13,5