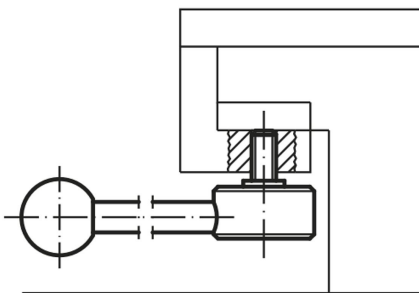
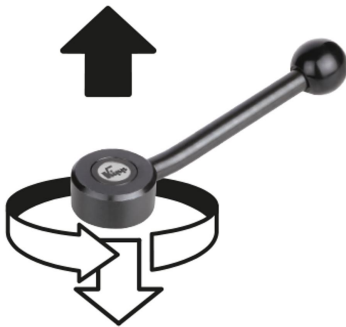


Tension levers flat external thread

Item description/product images



lift to
disengage



Description

Material:

Steel parts grade 5.8.
Ball knob black plastic.

Version:

Black oxidised.

On request:

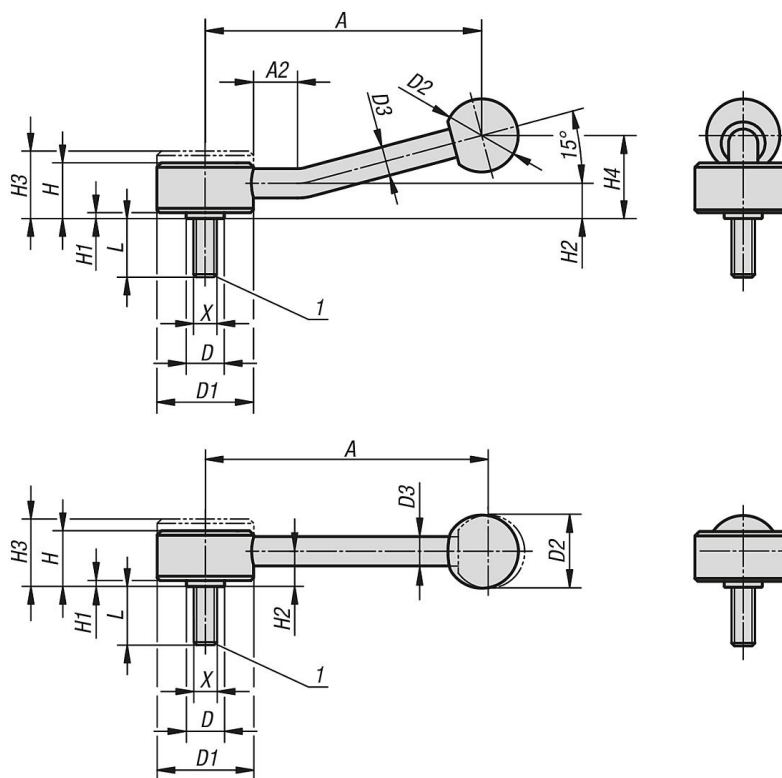
Other threads, screw lengths and special versions.
Dimensions "H1" and "A" available in other lengths at extra charge.

Drawing reference:

1) flat point DIN 78

Tension levers flat external thread

Drawings



Overview of items

Tension levers, flat, external thread

Order No.	Form	Size	X	L	D	D1	D2	D3	H	H1	H2	H3	H4	A	A2	No. of teeth
K0114.1081X15	0°	1	M8	15	13,5	33	25	10	19	2	12	23	-	102	-	20
K0114.1081X20	0°	1	M8	20	13,5	33	25	10	19	2	12	23	-	102	-	20
K0114.1081X25	0°	1	M8	25	13,5	33	25	10	19	2	12	23	-	102	-	20
K0114.1081X30	0°	1	M8	30	13,5	33	25	10	19	2	12	23	-	102	-	20
K0114.1081X40	0°	1	M8	40	13,5	33	25	10	19	2	12	23	-	102	-	20
K0114.1081X50	0°	1	M8	50	13,5	33	25	10	19	2	12	23	-	102	-	20
K0114.1081X60	0°	1	M8	60	13,5	33	25	10	19	2	12	23	-	102	-	20
K0114.1101X15	0°	1	M10	15	13,5	33	25	10	19	2	12	23	-	102	-	20
K0114.1101X20	0°	1	M10	20	13,5	33	25	10	19	2	12	23	-	102	-	20
K0114.1101X25	0°	1	M10	25	13,5	33	25	10	19	2	12	23	-	102	-	20
K0114.1101X30	0°	1	M10	30	13,5	33	25	10	19	2	12	23	-	102	-	20
K0114.1101X40	0°	1	M10	40	13,5	33	25	10	19	2	12	23	-	102	-	20
K0114.1101X50	0°	1	M10	50	13,5	33	25	10	19	2	12	23	-	102	-	20
K0114.1101X60	0°	1	M10	60	13,5	33	25	10	19	2	12	23	-	102	-	20
K0114.2101X20	0°	2	M10	20	19	41	30	12	22	2	13,5	26	-	131	-	24
K0114.2101X25	0°	2	M10	25	19	41	30	12	22	2	13,5	26	-	131	-	24
K0114.2101X30	0°	2	M10	30	19	41	30	12	22	2	13,5	26	-	131	-	24
K0114.2101X40	0°	2	M10	40	19	41	30	12	22	2	13,5	26	-	131	-	24
K0114.2101X50	0°	2	M10	50	19	41	30	12	22	2	13,5	26	-	131	-	24
K0114.2101X60	0°	2	M10	60	19	41	30	12	22	2	13,5	26	-	131	-	24
K0114.2121X20	0°	2	M12	20	19	41	30	12	22	2	13,5	26	-	131	-	24
K0114.2121X25	0°	2	M12	25	19	41	30	12	22	2	13,5	26	-	131	-	24
K0114.2121X30	0°	2	M12	30	19	41	30	12	22	2	13,5	26	-	131	-	24
K0114.2121X40	0°	2	M12	40	19	41	30	12	22	2	13,5	26	-	131	-	24
K0114.2121X50	0°	2	M12	50	19	41	30	12	22	2	13,5	26	-	131	-	24

Tension levers flat external thread

Overview of items

Order No.	Form	Size	X	L	D	D1	D2	D3	H	H1	H2	H3	H4	A	A2	No. of teeth
K0114.2121X60	0°	2	M12	60	19	41	30	12	22	2	13,5	26	-	131	-	24
K0114.3121X20	0°	3	M12	20	23	45	37	14	28	2	17	33	-	148	-	26
K0114.3121X25	0°	3	M12	25	23	45	37	14	28	2	17	33	-	148	-	26
K0114.3121X30	0°	3	M12	30	23	45	37	14	28	2	17	33	-	148	-	26
K0114.3121X40	0°	3	M12	40	23	45	37	14	28	2	17	33	-	148	-	26
K0114.3121X50	0°	3	M12	50	23	45	37	14	28	2	17	33	-	148	-	26
K0114.3121X60	0°	3	M12	60	23	45	37	14	28	2	17	33	-	148	-	26
K0114.3161X20	0°	3	M16	20	23	45	37	14	28	2	17	33	-	148	-	26
K0114.3161X25	0°	3	M16	25	23	45	37	14	28	2	17	33	-	148	-	26
K0114.3161X30	0°	3	M16	30	23	45	37	14	28	2	17	33	-	148	-	26
K0114.3161X40	0°	3	M16	40	23	45	37	14	28	2	17	33	-	148	-	26
K0114.3161X50	0°	3	M16	50	23	45	37	14	28	2	17	33	-	148	-	26
K0114.3161X60	0°	3	M16	60	23	45	37	14	28	2	17	33	-	148	-	26
K0114.1082X15	15°	1	M8	15	13,5	33	25	10	19	2	12	23	29	100	15	20
K0114.1082X20	15°	1	M8	20	13,5	33	25	10	19	2	12	23	29	100	15	20
K0114.1082X25	15°	1	M8	25	13,5	33	25	10	19	2	12	23	29	100	15	20
K0114.1082X30	15°	1	M8	30	13,5	33	25	10	19	2	12	23	29	100	15	20
K0114.1082X40	15°	1	M8	40	13,5	33	25	10	19	2	12	23	29	100	15	20
K0114.1082X50	15°	1	M8	50	13,5	33	25	10	19	2	12	23	29	100	15	20
K0114.1082X60	15°	1	M8	60	13,5	33	25	10	19	2	12	23	29	100	15	20
K0114.1102X15	15°	1	M10	15	13,5	33	25	10	19	2	12	23	29	100	15	20
K0114.1102X20	15°	1	M10	20	13,5	33	25	10	19	2	12	23	29	100	15	20
K0114.1102X25	15°	1	M10	25	13,5	33	25	10	19	2	12	23	29	100	15	20
K0114.1102X30	15°	1	M10	30	13,5	33	25	10	19	2	12	23	29	100	15	20
K0114.1102X40	15°	1	M10	40	13,5	33	25	10	19	2	12	23	29	100	15	20
K0114.1102X50	15°	1	M10	50	13,5	33	25	10	19	2	12	23	29	100	15	20
K0114.1102X60	15°	1	M10	60	13,5	33	25	10	19	2	12	23	29	100	15	20
K0114.2102X20	15°	2	M10	20	19	41	30	12	22	2	13,5	26	38	127	15	24
K0114.2102X25	15°	2	M10	25	19	41	30	12	22	2	13,5	26	38	127	15	24
K0114.2102X30	15°	2	M10	30	19	41	30	12	22	2	13,5	26	38	127	15	24
K0114.2102X40	15°	2	M10	40	19	41	30	12	22	2	13,5	26	38	127	15	24
K0114.2102X50	15°	2	M10	50	19	41	30	12	22	2	13,5	26	38	127	15	24
K0114.2102X60	15°	2	M10	60	19	41	30	12	22	2	13,5	26	38	127	15	24
K0114.2122X20	15°	2	M12	20	19	41	30	12	22	2	13,5	26	38	127	15	24
K0114.2122X25	15°	2	M12	25	19	41	30	12	22	2	13,5	26	38	127	15	24
K0114.2122X30	15°	2	M12	30	19	41	30	12	22	2	13,5	26	38	127	15	24
K0114.2122X40	15°	2	M12	40	19	41	30	12	22	2	13,5	26	38	127	15	24
K0114.2122X50	15°	2	M12	50	19	41	30	12	22	2	13,5	26	38	127	15	24
K0114.2122X60	15°	2	M12	60	19	41	30	12	22	2	13,5	26	38	127	15	24
K0114.3122X20	15°	3	M12	20	23	45	37	14	28	2	17	33	48	145	15	26
K0114.3122X25	15°	3	M12	25	23	45	37	14	28	2	17	33	48	145	15	26
K0114.3122X30	15°	3	M12	30	23	45	37	14	28	2	17	33	48	145	15	26
K0114.3122X40	15°	3	M12	40	23	45	37	14	28	2	17	33	48	145	15	26
K0114.3122X50	15°	3	M12	50	23	45	37	14	28	2	17	33	48	145	15	26
K0114.3122X60	15°	3	M12	60	23	45	37	14	28	2	17	33	48	145	15	26
K0114.3162X20	15°	3	M16	20	23	45	37	14	28	2	17	33	48	145	15	26
K0114.3162X25	15°	3	M16	25	23	45	37	14	28	2	17	33	48	145	15	26
K0114.3162X30	15°	3	M16	30	23	45	37	14	28	2	17	33	48	145	15	26
K0114.3162X40	15°	3	M16	40	23	45	37	14	28	2	17	33	48	145	15	26
K0114.3162X50	15°	3	M16	50	23	45	37	14	28	2	17	33	48	145	15	26
K0114.3162X60	15°	3	M16	60	23	45	37	14	28	2	17	33	48	145	15	26