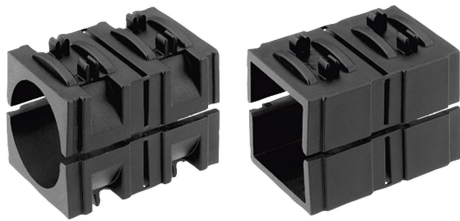


Reducer sleeves square

Item description/product images



Description

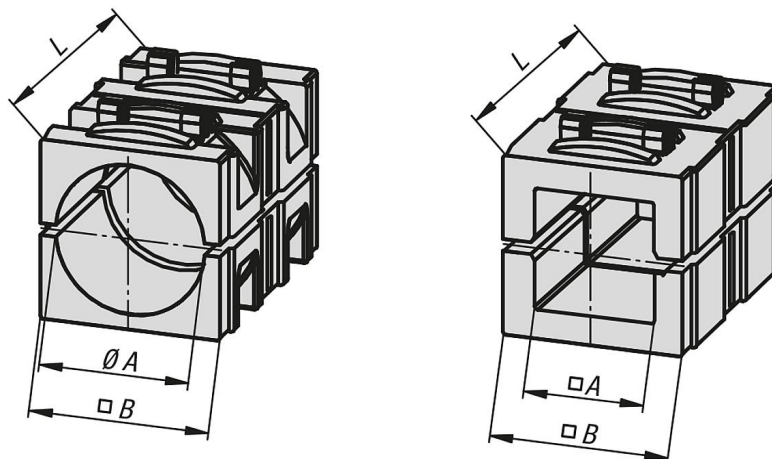
Material:
Thermoplastic.

Version:
black.

Note:
Reducer sleeves are for clamping smaller tubes or where a conversion of square to round tubes is required.



Drawings



Overview of items

Reducer sleeves, square

Order No.	Type	A	B	L
K0491.03020	for round tubes	Ø 20,25	30,3	45
K0491.03025	for round tubes	Ø 25,25	30,3	45
K0491.03030	for round tubes	Ø 30,25	30,3	45
K0491.13020	for square tubes	20,5	30,3	45
K0491.13025	for square tubes	25,5	30,3	45