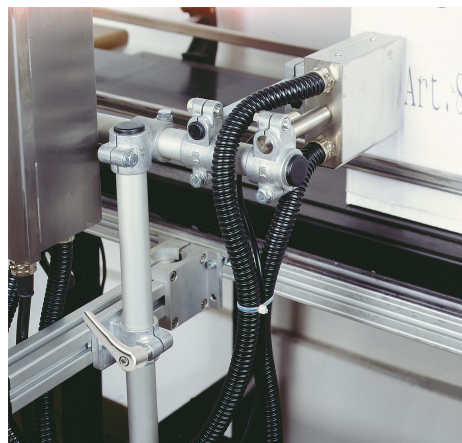


Tube clamps swivel aluminium

Item description/product images



Description

Material:

Cast aluminium.

ISO 4762 cap screws and ISO 4032 hexagon nuts, steel.

Steel ISO 4017 hex head bolts and DIN 985 hex nuts from Ø20.

Version:

Vibratory ground.

Screws and nuts electro zinc-plated.

Note:

Tube swivel clamps can be seamlessly rotated through 180°.

On request:

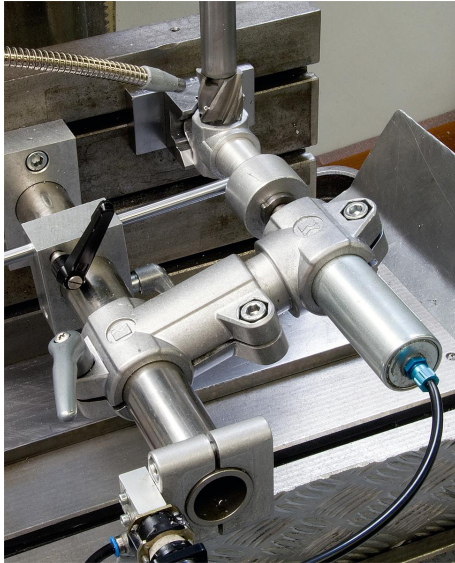
Lever for locking and other diameters.

Accessory:

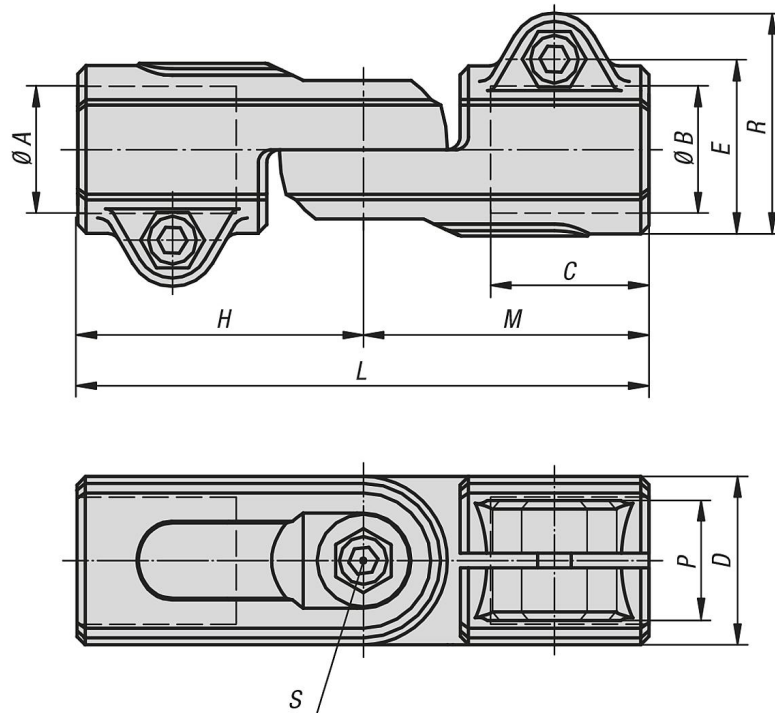
- Round and square tubes K0493

Tube clamps swivel aluminium

Item description/product images



Drawings



Overview of items

Tube clamps swivel, aluminium

Order No.	A	B	C	D	E	H	L	M	P	R	S
K0489.512	12,1	12,1	25	26	29,4	44	88	44	21	37,5	M6x18
K0489.514	14,1	14,1	25	26	29,4	44	88	44	21	37,5	M6x18
K0489.516	16,1	16,1	25	26	29,4	44	88	44	21	37,5	M6x18
K0489.518	18,1	18,1	25	26	29,4	44	88	44	21	37,5	M6x18
K0489.520	20,1	20,1	45	40	40	73	146	73	33	51	M8x35

Tube clamps swivel aluminium

Overview of items

Order No.	A	B	C	D	E	H	L	M	P	R	S
K0489.525	25,1	25,1	45	40	40	73	146	73	33	51	M8x35
K0489.530	30,1	30,1	45	40	40	73	146	73	33	51	M8x35
K0489.540	40,15	40,15	60	56	56	100	200	100	48	70	M10x50