

## Levelling feet

### Item description/product images



### Description

#### Material:

Body fibreglass reinforced thermoplastic.  
Hexagon head screw steel.

#### Version:

Body black.  
Hexagon head screw electro zinc-plated.

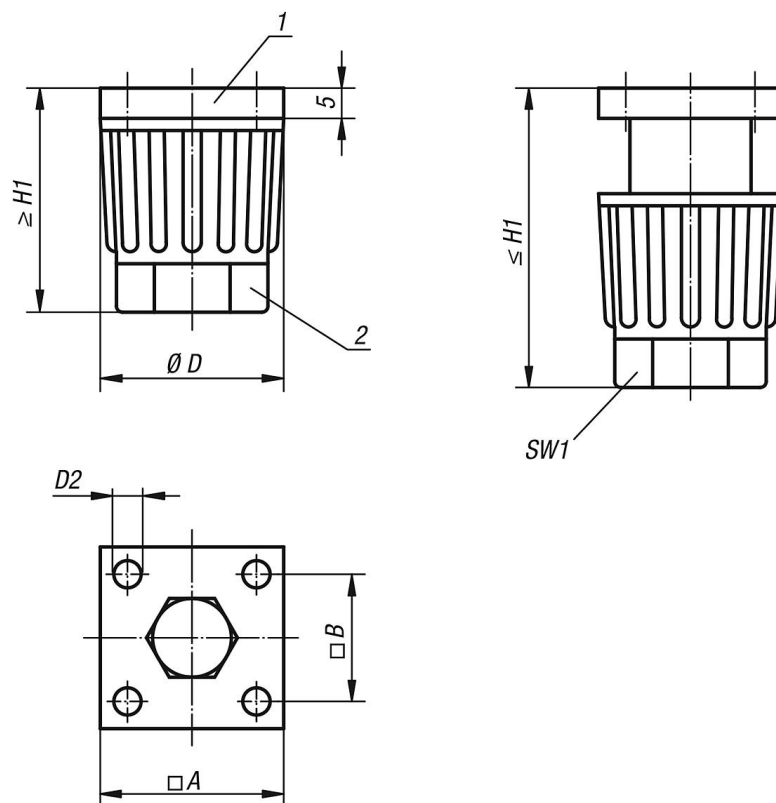
#### Note:

The flat top flange and sunken screw head make these levelling feet ideal for mounting on smooth surfaces.  
The foot height is adjusted by turning the base nut by hand or spanner.

#### Drawing reference:

- 1) support flange
- 2) nut

### Drawings



### Overview of items

### Levelling feet

## Levelling feet

### Overview of items

Order No.	A	B	D	D2 for countersunk screw	H1	SW1	Load rating max. kN (static load only)
<b>K0433.3004</b>	30	20,5	30	M4	35-50	22	1,5
<b>K0433.4006</b>	40	28	40	M6	45-65	30	1,5