

Toggle clamps mini horizontal with flat foot and fixed clamping spindle

Item description/product images



Description

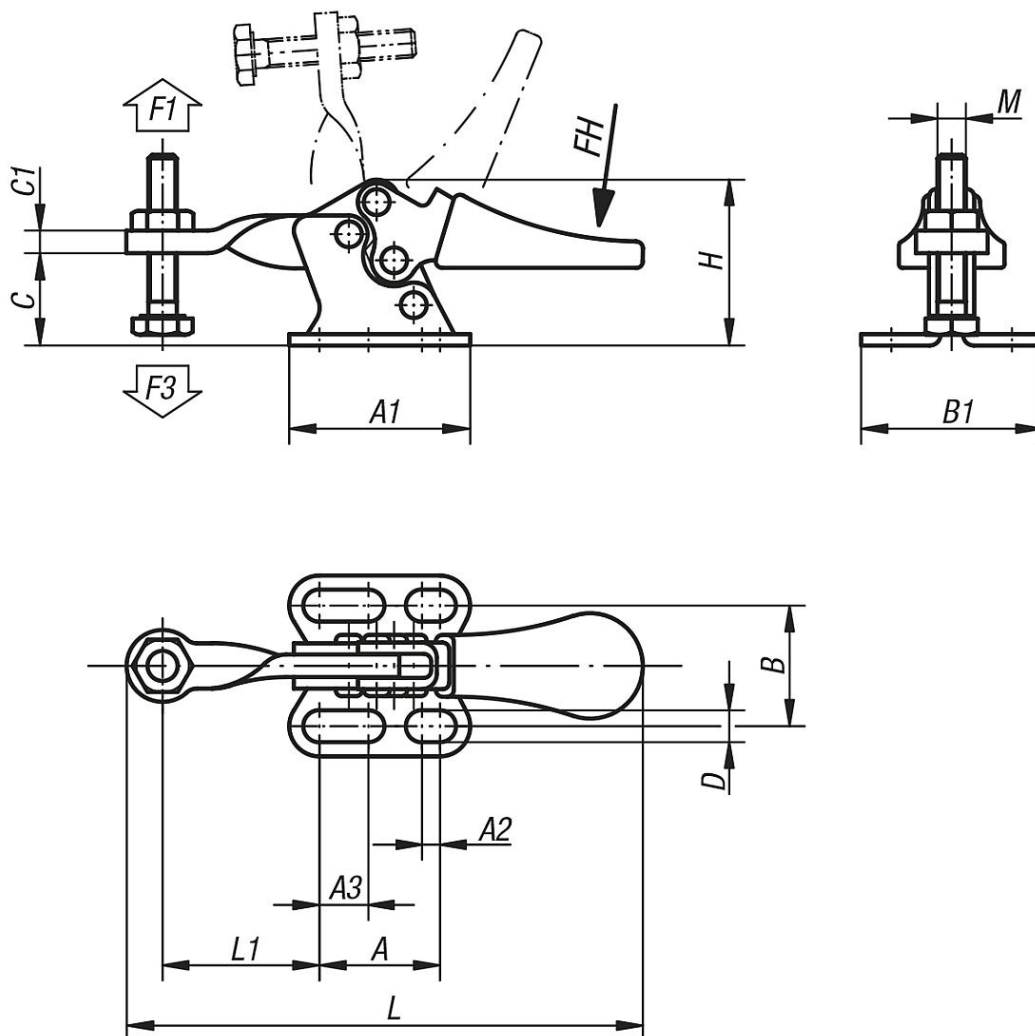
Material:
Steel.

Version:
Trivalent passivated.
Clamping spindle and nuts phosphated.
Plastic grip oil-resistant.

Accessory:

K0101
K0102
K0103
K0106

Drawings



Toggle clamps mini horizontal with flat foot and fixed clamping spindle

Overview of items

Toggle clamps mini horizontal with flat foot and fixed clamping spindle

Order No.	Opening angle of holding arm				Opening angle of handle			Hand force FH N	Retaining force F1 N			Clamping force F3 N	
K0070.0050	85°				65°			80	500			250	
Order No.	A	A1	A2	A3	B	B1	C	C1	D	H	L	L1	M
K0070.0050	16	24	2,4	6,5	16	24	12	3	4,2	22	70	21	M5x20