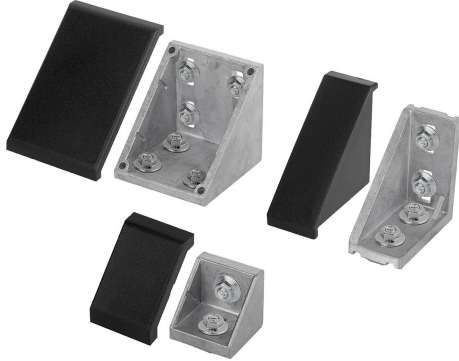


## Angle sets Type B

### Item description/product images



### Description

**Material:**

Angle die-cast aluminium.

Screws and slot nuts steel.

End cap polyamide, fibreglass reinforced.

**Version:**

Angle bright.

Screws and slot nuts electro zinc-plated.

End cap black.

**Note:**

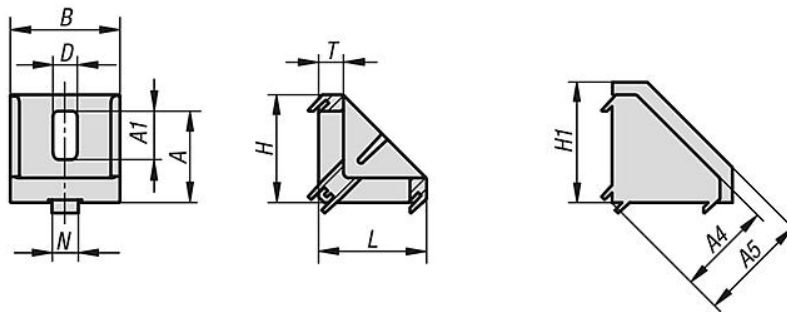
Suitable for reinforcing profile constructions and for frictional connection of profiles with each other without machining. Can also be used as fastening element (e.g. bracket) for any components.

The angles have centring lugs for accurate and twist-proof mounting. The centring lugs can be removed if necessary by breaking off i.e. for mounting plates. The open side can be closed off with the end cap.

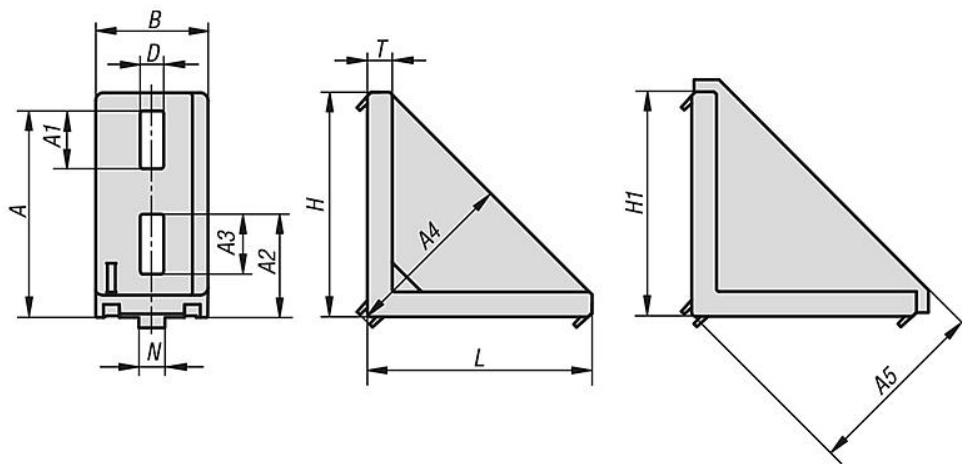
Angle sets Type B

Drawings

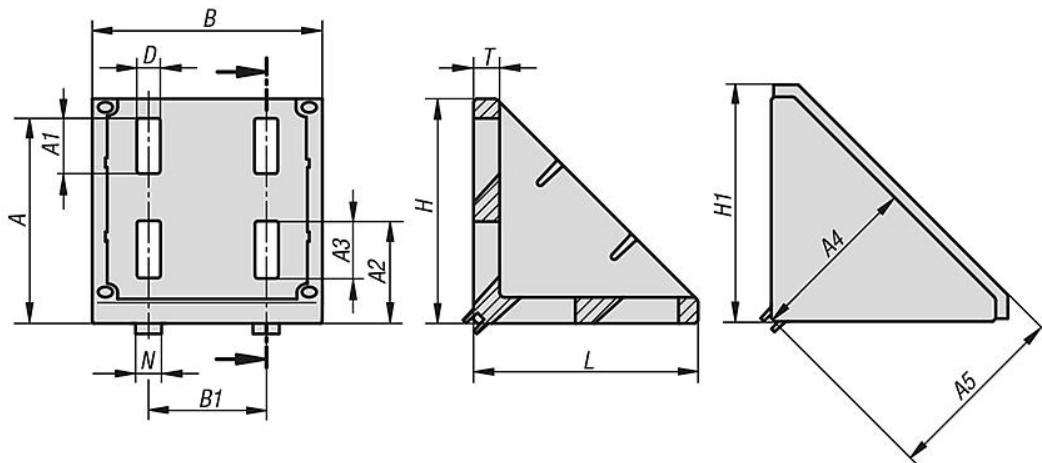
30x30 / 40x40 / 45x45



30x60 / 40x80 / 45x90



80x80 / 90x90



Overview of items

Angle sets Type B

Order No.	Type	Slot width	Version	A	A1	A2	A3	A4	A5	B	B1	D	H	H1	L	N	T
K1046.083030	B	8	30x30	22	9,5	-	-	23	29	28	-	6,4	27	30	27	8	6
K1046.083060	B	8	30x60	51	11	23	11	44	49	28	-	6,4	57	61	57	8	5,5

## Angle sets Type B

### Overview of items

Order No.	Type	Slot width	Version	A	A1	A2	A3	A4	A5	B	B1	D	H	H1	L	N	T
K1046.104040	B	10	40x40	29,5	20,5	-	-	29,5	36,5	38	-	9	36	41,5	36	10	5,5
K1046.104545	B	10	45x45	35	18,5	-	-	35	44,5	42	-	9	41	50,5	41	10	9,5
K1046.104080	B	10	40x80	68	20	35	23	59	64	38	-	9	76	80	76	10	8,5
K1046.104590	B	10	45x90	79	22	39,5	23	67	72	43	-	9	86	90	86	10	9,5
K1046.108080	B	10	80x80	68,5	20	35	20	58,5	65	74	40	9	76	82,5	76	10	8
K1046.109090	B	10	90x90	78,5	21	39	22	67	75	88	45	9	86	94,5	86	10	10