

Rod ends with plain bearing internal thread, stainless steel

Item description/product images



Description

Material:

Housing forged 1.4057 stainless steel.
Ball joint 1.4034 hardened and ground.
Bearing shell 1.4571 stainless steel.

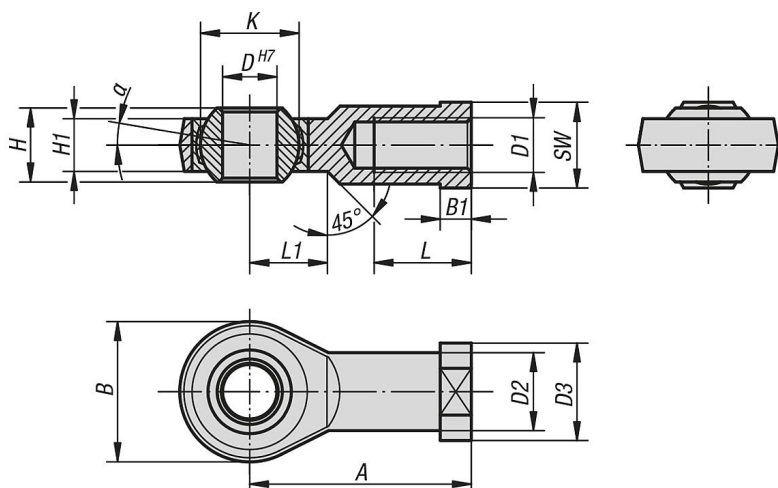
Version:

Polished.

Note:

The rod end bearing is maintenance-free.
The connection dimensions comply with DIN 648 Form Series KJ.

Drawings



Overview of items

Rod ends with plain bearing internal thread, stainless steel

| Order No. | Version | D | D1 | D2 | D3 | A | B | B1 | H | H1 | K | L | L1 | SW | α | Dynamic base loads kN | Static base loads kN |
|-------------|-----------|----|----------|------|----|----|----|-----|----|------|-------|----|----|----|----------|--------------------------|-------------------------|
| K0721.05 | RH thread | 5 | M5 | 9 | 11 | 27 | 18 | 4 | 8 | 6 | 11,11 | 10 | 10 | 9 | 13° | 7,5 | 11,8 |
| K0721.06 | RH thread | 6 | M6 | 10 | 13 | 30 | 20 | 5 | 9 | 6,75 | 12,7 | 12 | 10 | 11 | 13° | 9,3 | 13,1 |
| K0721.08 | RH thread | 8 | M8 | 12,5 | 16 | 36 | 24 | 5 | 12 | 9 | 15,87 | 16 | 12 | 13 | 13° | 16,7 | 20,7 |
| K0721.10 | RH thread | 10 | M10 | 15 | 19 | 43 | 28 | 6,5 | 14 | 10,5 | 19,05 | 20 | 15 | 17 | 13° | 23,4 | 28,3 |
| K0721.10125 | RH thread | 10 | M10x1,25 | 15 | 19 | 43 | 28 | 6,5 | 14 | 10,5 | 19,05 | 20 | 15 | 17 | 13° | 23,4 | 28,3 |
| K0721.12 | RH thread | 12 | M12 | 17,5 | 22 | 50 | 32 | 6,5 | 16 | 12 | 22,22 | 22 | 16 | 19 | 13° | 32 | 34,5 |
| K0721.12125 | RH thread | 12 | M12x1,25 | 17,5 | 22 | 50 | 32 | 6,5 | 16 | 12 | 22,22 | 22 | 16 | 19 | 13° | 32 | 34,5 |
| K0721.16 | RH thread | 16 | M16 | 22 | 27 | 64 | 42 | 8 | 21 | 15 | 28,57 | 28 | 22 | 22 | 15° | 52,7 | 60,6 |
| K0721.1615 | RH thread | 16 | M16x1,5 | 22 | 27 | 64 | 42 | 8 | 21 | 15 | 28,57 | 28 | 22 | 22 | 15° | 52,7 | 60,6 |
| K0721.20 | RH thread | 20 | M20x1,5 | 27,5 | 34 | 77 | 50 | 10 | 25 | 18 | 34,92 | 33 | 26 | 32 | 15° | 78,1 | 83,1 |
| K0721.22 | RH thread | 22 | M22x1,5 | 30 | 37 | 84 | 54 | 12 | 28 | 20 | 38,1 | 37 | 26 | 32 | 15° | 97,2 | 99,7 |
| K0721.051 | LH thread | 5 | M5 | 9 | 11 | 27 | 18 | 4 | 8 | 6 | 11,11 | 10 | 10 | 9 | 13° | 7,5 | 11,8 |
| K0721.061 | LH thread | 6 | M6 | 10 | 13 | 30 | 20 | 5 | 9 | 6,75 | 12,7 | 12 | 10 | 11 | 13° | 9,3 | 13,1 |
| K0721.081 | LH thread | 8 | M8 | 12,5 | 16 | 36 | 24 | 5 | 12 | 9 | 15,87 | 16 | 12 | 13 | 13° | 16,7 | 20,7 |
| K0721.101 | LH thread | 10 | M10 | 15 | 19 | 43 | 28 | 6,5 | 14 | 10,5 | 19,05 | 20 | 15 | 17 | 13° | 23,4 | 28,3 |

Rod ends with plain bearing internal thread, stainless steel

Overview of items

| Order No. | Version | D | D1 | D2 | D3 | A | B | B1 | H | H1 | K | L | L1 | SW | α | Dynamic base loads kN | Static base loads kN |
|---------------------|-----------|----|----------|------|----|----|----|-----|----|------|-------|----|----|----|----------|--------------------------|-------------------------|
| K0721.101251 | LH thread | 10 | M10x1,25 | 15 | 19 | 43 | 28 | 6,5 | 14 | 10,5 | 19,05 | 20 | 15 | 17 | 13° | 23,4 | 28,3 |
| K0721.121 | LH thread | 12 | M12 | 17,5 | 22 | 50 | 32 | 6,5 | 16 | 12 | 22,22 | 22 | 16 | 19 | 13° | 32 | 34,5 |
| K0721.121251 | LH thread | 12 | M12x1,25 | 17,5 | 22 | 50 | 32 | 6,5 | 16 | 12 | 22,22 | 22 | 16 | 19 | 13° | 32 | 34,5 |
| K0721.161 | LH thread | 16 | M16 | 22 | 27 | 64 | 42 | 8 | 21 | 15 | 28,57 | 28 | 22 | 22 | 15° | 52,7 | 60,6 |
| K0721.16151 | LH thread | 16 | M16x1,5 | 22 | 27 | 64 | 42 | 8 | 21 | 15 | 28,57 | 28 | 22 | 22 | 15° | 52,7 | 60,6 |
| K0721.201 | LH thread | 20 | M20x1,5 | 27,5 | 34 | 77 | 50 | 10 | 25 | 18 | 34,92 | 33 | 26 | 32 | 15° | 78,1 | 83,1 |
| K0721.221 | LH thread | 22 | M22x1,5 | 30 | 37 | 84 | 54 | 12 | 28 | 20 | 38,1 | 37 | 26 | 32 | 15° | 97,2 | 99,7 |