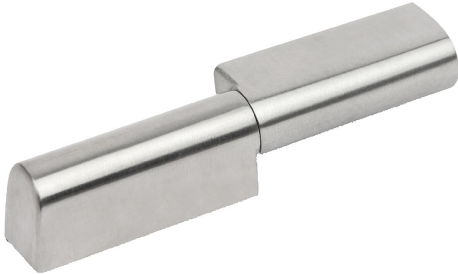


## In-line hinges stainless steel lift-off, screw-on

### Item description/product images

---



### Description

**Material:**

Stainless steel 1.4401.

**Version:**

Satin finished.

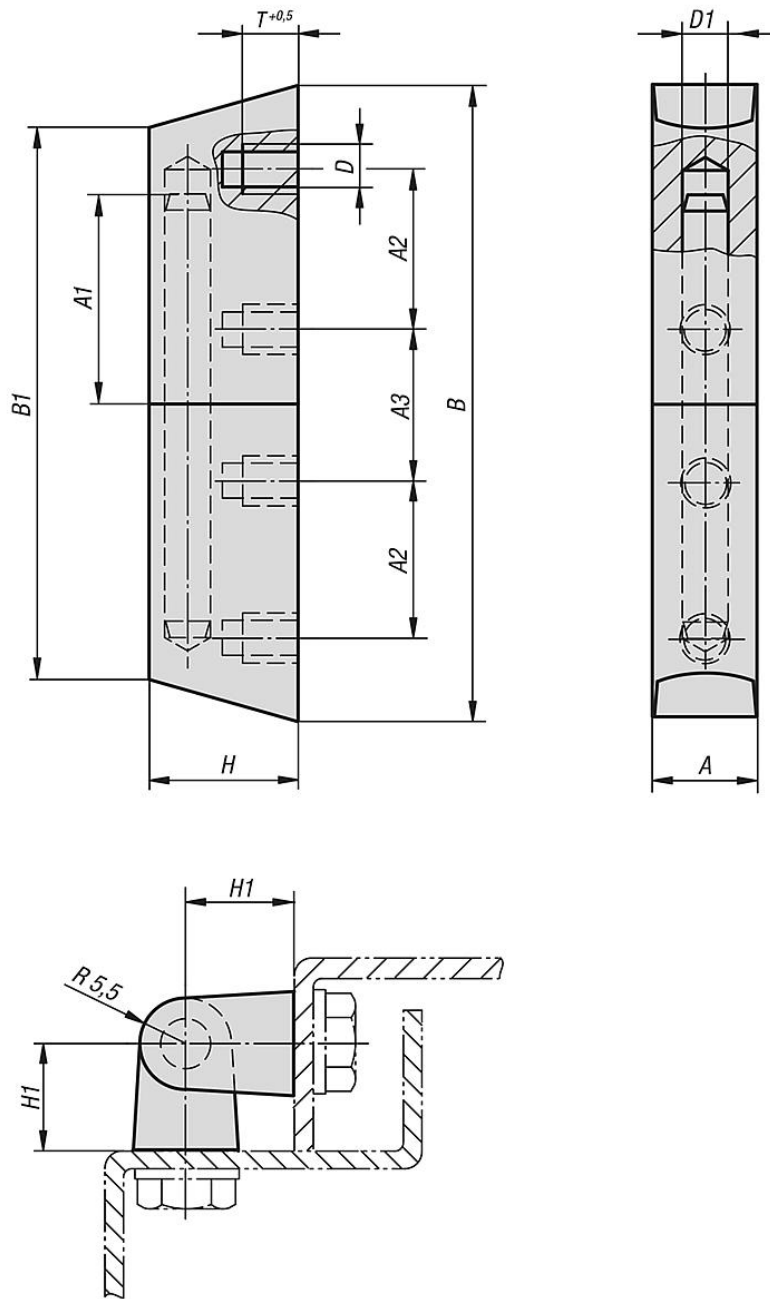
**Note:**

Lift-off inline hinge, right or left mounting.

The sloping hinge ends prevent the accumulation of dirt.

In-line hinges stainless steel lift-off, screw-on

Drawings



Overview of items

In-line hinges, stainless steel, lift-off, screw-on

Order No.	A	A1	A2	A3	B	B1	D	D1	T	H	H1
K1304.1761218	12,5	23	19	18	76	66	M6	6	6	18,5	13