

## Five lobe grips

### Item description/product images



### Description

**Material:**

Thermoset PF 31, black.  
Steel bush and stud, electro zinc-plated.

**Version:**

High-gloss polished.

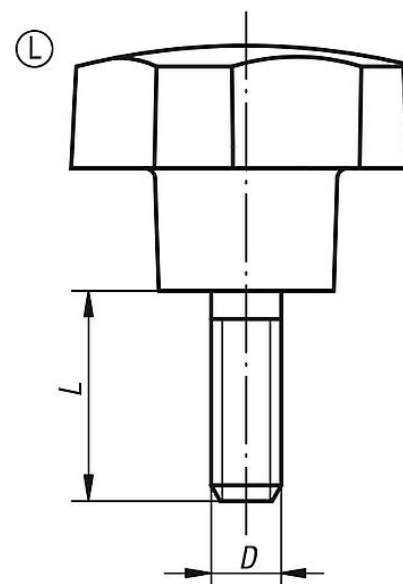
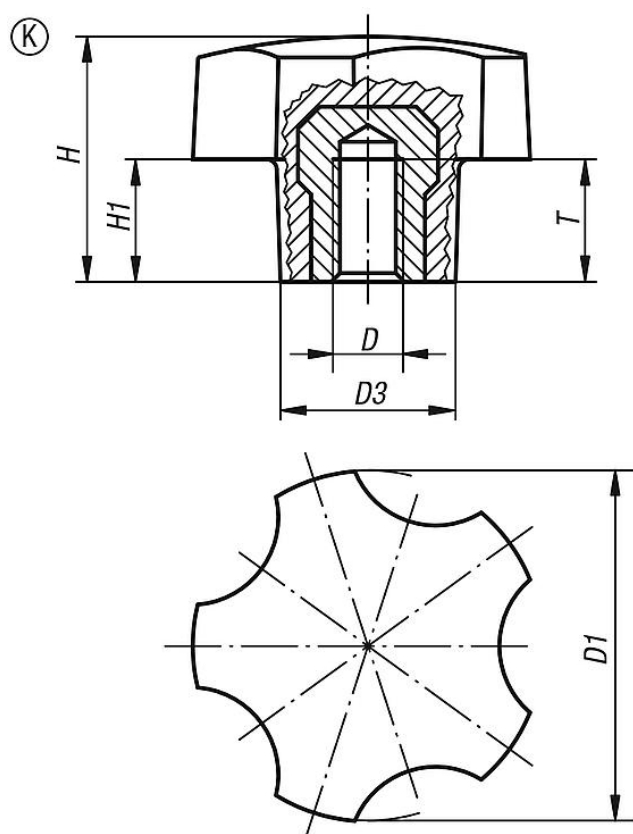
**Note:**

The versions K0185.3205 and K0185.3206 have a brass bush.

**On request:**

Other screw sizes, screw lengths and colours.

### Drawings



### Overview of items

#### Five lobe grips with internal thread

Order No.	Form	D	D1	D3	H	H1	T	L
K0185.3205	K	M5	32	16	22,4	11,2	10	-
K0185.3206	K	M6	32	16	22,4	11,2	9	-
K0185.4006	K	M6	40	20	28	14	12	-
K0185.4008	K	M8	40	20	28	14	14	-
K0185.4010	K	M10	40	20	28	14	14	-
K0185.5008	K	M8	50	25	35	17,5	14	-

## Five lobe grips

### Overview of items

Order No.	Form	D	D1	D3	H	H1	T	L
K0185.5010	K	M10	50	25	35	17,5	14	-
K0185.3206X12	L	M6	32	16	22,4	11,2	-	12
K0185.3206X18	L	M6	32	16	22,4	11,2	-	18
K0185.3208X16	L	M8	32	16	22,4	11,2	-	16
K0185.3208X24	L	M8	32	16	22,4	11,2	-	24
K0185.4006X18	L	M6	40	20	28	14	-	18
K0185.4008X16	L	M8	40	20	28	14	-	16
K0185.4008X20	L	M8	40	20	28	14	-	20
K0185.4008X24	L	M8	40	20	28	14	-	24
K0185.4010X30	L	M10	40	20	28	14	-	30
K0185.5008X16	L	M8	50	25	35	17,5	-	16
K0185.5008X24	L	M8	50	25	35	17,5	-	24
K0185.5010X20	L	M10	50	25	35	17,5	-	20
K0185.5010X30	L	M10	50	25	35	17,5	-	30