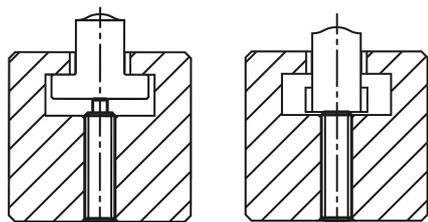


Spring plungers with hexagon socket and flattened thrust pin, steel, LONG-LOK secured

Item description/product images



Description

Material:

Sleeve steel grade 5.8.
Thrust pin steel.
Spring grade D steel wire.

LONG-LOK thread lock nylon.

Version:

Black oxidised.
Thrust pin hardened.

Note:

These spring plungers are chiefly used as ejectors and spring stops in machine construction.

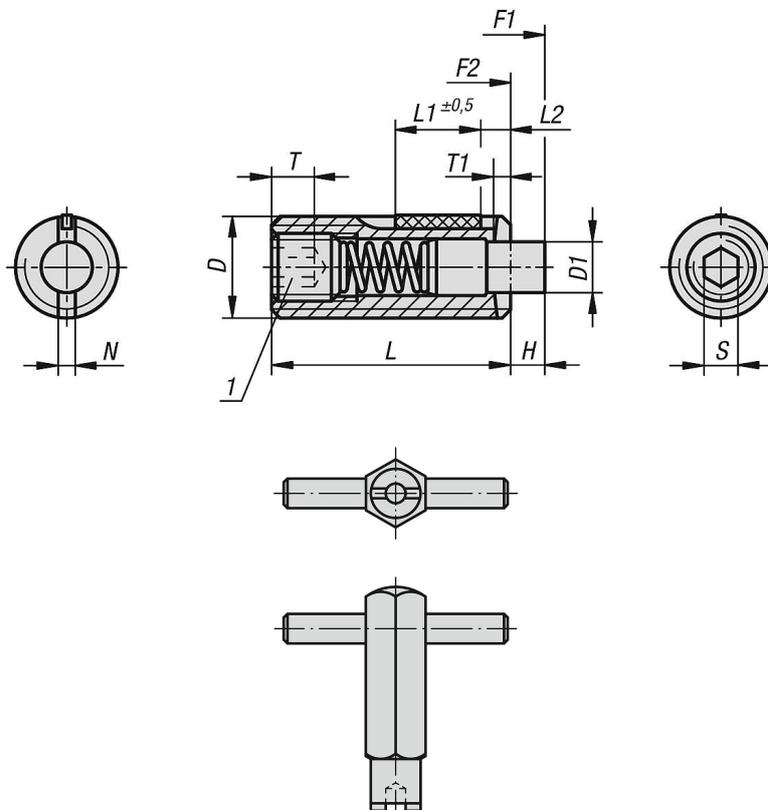
The thrust pin is actuated in the axial direction.

Drawing reference:

L2 = ca. two full threads

1) grub screw glued-in

Drawings



Overview of items

Spring plungers with hexagon socket and flattened thrust pin, steel, LONG-LOK secured

Overview of items

Spring plungers with hexagon socket and thrust pin, standard spring force, LONG-LOK secured

Order No.	D	D1	H	L	L1	T	T1	N	S	Spring force initial pressure F1 approx. N	Spring force final pressure F2 approx. N	Tightening torque approx. Nm	Loosening torque approx. Nm	Order No. assembly key
K1371.05	M5	2,4	2,3	18	7	2	0,8	0,8	1,5	6	20	0,12	0,08	K0317.905
K1371.06	M6	2,7	2,5	20	7	2,5	1	1	2	7	20	0,45	0,22	K0317.906
K1371.08	M8	3,5	3	22	8	3	1,4	1,2	2,5	9	35	1,05	0,37	K0317.908
K1371.10	M10	4	3	22	9	3,5	1,4	1,6	3	9	35	1,3	0,6	K0317.910
K1371.12	M12	6	4	28	10	5	2	2	4	12	55	2	1,3	K0317.912
K1371.16	M16	7,5	5	32	14	6	2,5	2,5	5	45	100	3,9	3	K0317.916