

## Rubber buffers type E

### Item description/product images



### Description

#### Material:

Metal parts steel, grade 5.6.

Elastomer natural rubber, medium hardness, Shore 55A.

#### Version:

Steel electro zinc-plated.

#### Note:

Rubber buffers are widely-used construction elements for elastic mounting. They are used, among other things, as mountings for aggregates, motors, compressors, pumps and testing machinery.

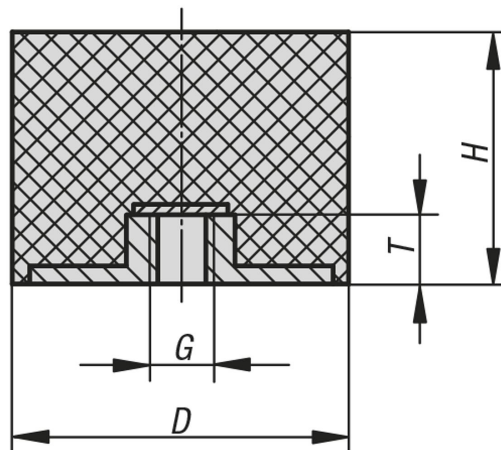
#### Temperature range:

-30°C to +80°C.

#### On request:

Other Shore grades.

### Drawings



### Overview of items

#### Rubber buffers type E

Order No.	D	H	G	T	Spring stiffness N/mm	Load N
K0573.00800855	8	8	M3	3	88	44
K0573.01501255	15	12	M4	4	165	182
K0573.01501555	15	15	M4	4	100	130
K0573.01502055	15	20	M4	4	75	113
K0573.02001555	20	15	M6	6	145	246
K0573.02002055	20	20	M6	6	94	216
K0573.02002555	20	25	M6	6	65	169
K0573.02501555	25	15	M6	6	270	540
K0573.02502555	25	25	M6	6	105	315
K0573.02503055	25	30	M6	6	85	281
K0573.02504055	25	40	M6	6	75	300
K0573.03001555	30	15	M8	8	545	491

## Rubber buffers type E

### Overview of items

Order No.	D	H	G	T	Spring stiffness N/mm	Load N
K0573.03002555	30	25	M8	8	160	416
K0573.03003055	30	30	M8	8	125	425
K0573.03004055	30	40	M8	8	85	315
K0573.04002055	40	20	M8	8	550	660
K0573.04002555	40	25	M8	8	500	1000
K0573.04003055	40	30	M8	8	300	870
K0573.04004055	40	40	M8	8	260	1040
K0573.05002055	50	20	M10	10	860	860
K0573.05002555	50	25	M10	10	700	1400
K0573.05003055	50	30	M10	10	450	1575
K0573.05004055	50	40	M10	10	350	1400
K0573.05005055	50	50	M10	10	170	850
K0573.06003055	60	30	M10	10	700	1400
K0573.06004055	60	40	M10	10	400	1600
K0573.06005055	60	50	M10	10	240	1200
K0573.07004255	70	42	M10	10	520	2600
K0573.07004555	70	45	M10	10	680	3060
K0573.07502555	75	25	M12	12	1211	1816
K0573.07503055	75	30	M12	12	1090	2289
K0573.07504055	75	40	M12	12	500	2000
K0573.07505055	75	50	M12	12	550	2750