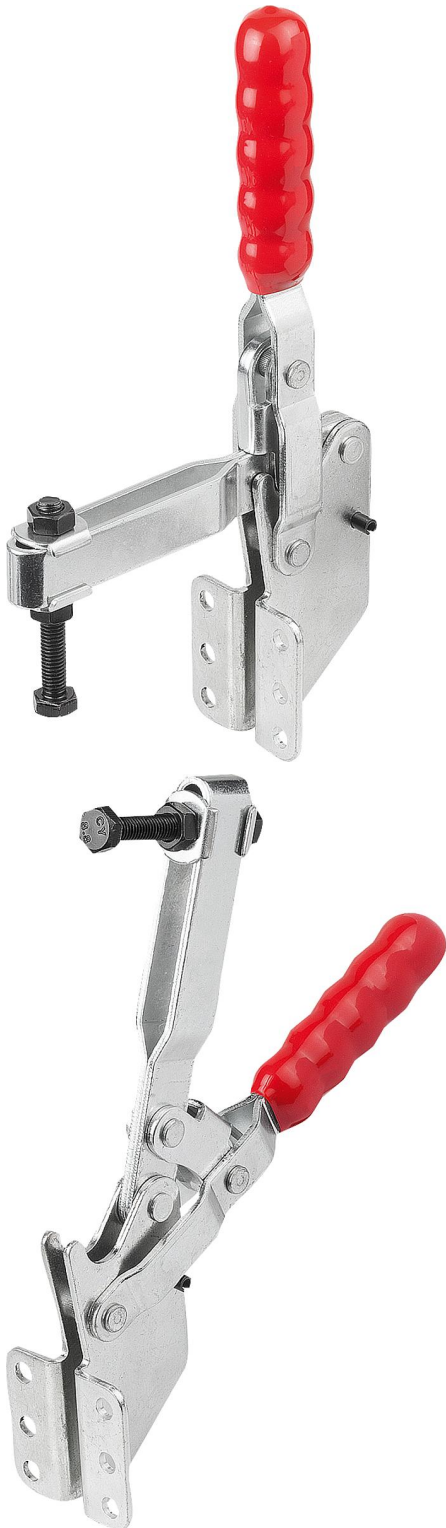


## Toggle clamps vertical with angled foot and adjustable clamping spindle

### Item description/product images



### Description

**Material:**

Steel.

**Version:**

Electro zinc-plated steel.  
Plastic handle, oil-resistant.

**Note:**

A neoprene thrust pad is supplied with versions K1259.01000 and K1259.02000.

**Accessory:**

K0688  
K0689  
K0690  
K0101  
K1442  
K0102  
K0103  
K1443  
K0104  
K0106  
K1441

## Toggle clamps vertical with angled foot and adjustable clamping spindle

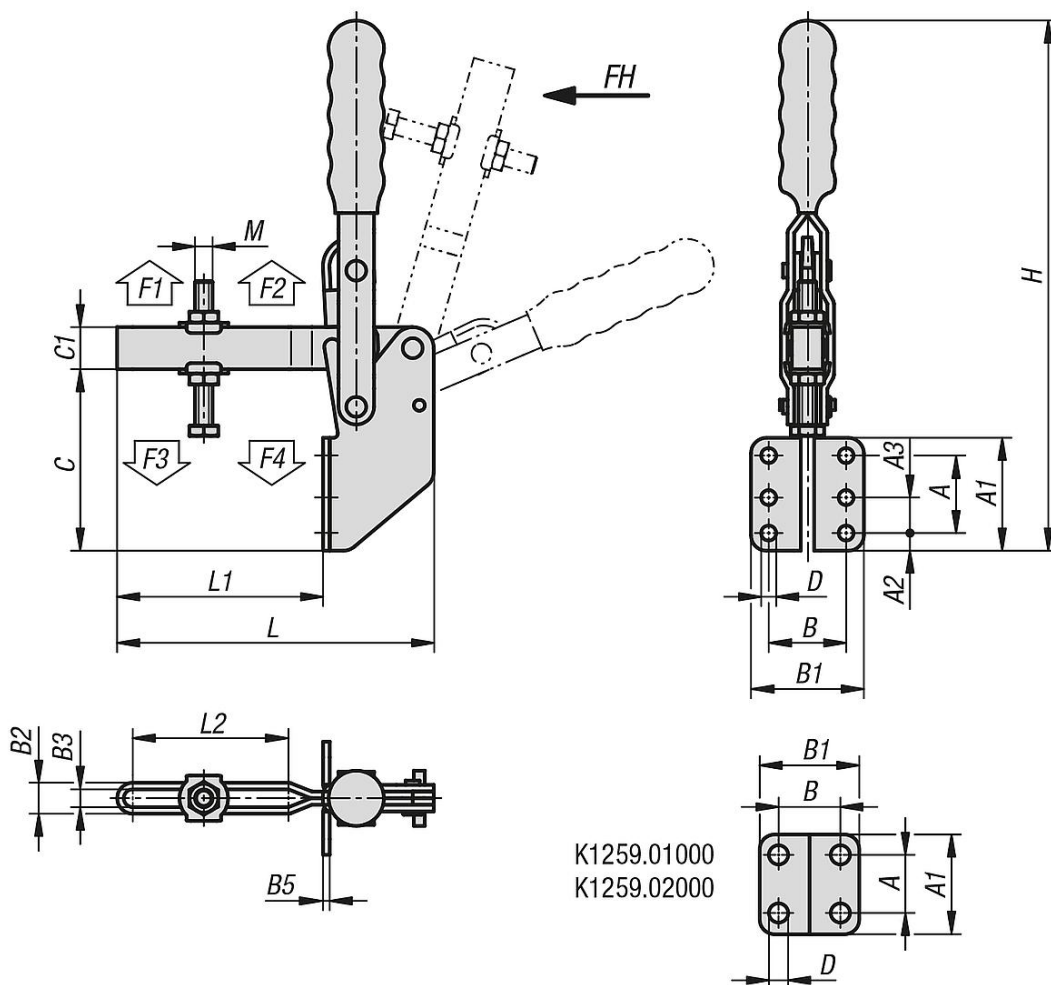
Item description/product images

---



# Toggle clamps vertical with angled foot and adjustable clamping spindle

## Drawings



## Overview of items

### Toggle clamps vertical with angled foot and adjustable clamping spindle

Order No.	Opening angle of holding arm				Opening angle of handle				Hand force FH N	Retaining force F1 N	Retaining force F2 N	Clamping force F3 N	Clamping force F4 N				
K1259.01000	96°				69°				50	700	1000	500	800				
K1259.02000	108°				70°				100	1000	2000	900	1300				
K1259.03600	106°				67°				100	1800	3600	900	1800				
Order No.	A	A1	A2	A3	B	B1	B2	B3	B5	C	C1	D	H	L	L1	L2	M
K1259.01000	14	29	-	-	17,5	28	10	5	2,5	44	10	4,9	121	67	31	26	M5x35
K1259.02000	19	35	-	-	26	42	11	6	3	64	13	5,5	170	79	35	29,5	M6x50
K1259.03600	35	51	8	16	35	51	14,8	8,8	3	82	19	6,8	244	143	93	70	M8x60