

Keys for latches and locks

Item description/product images



Description

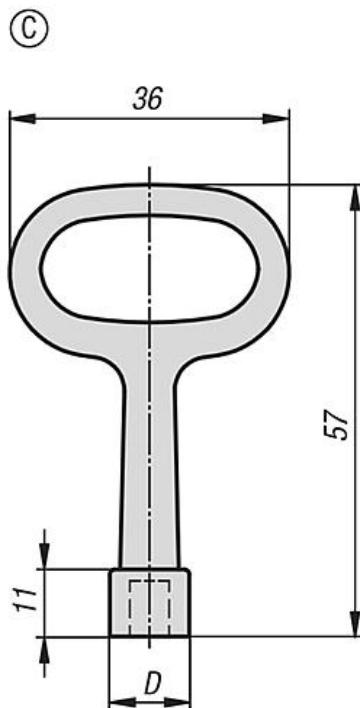
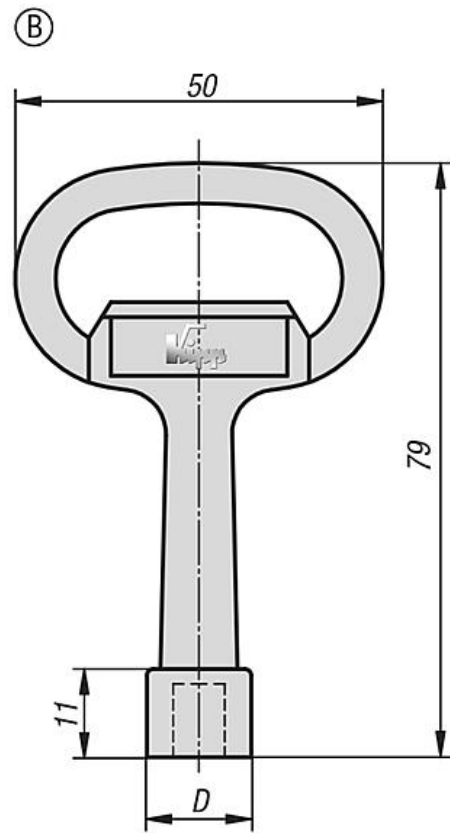
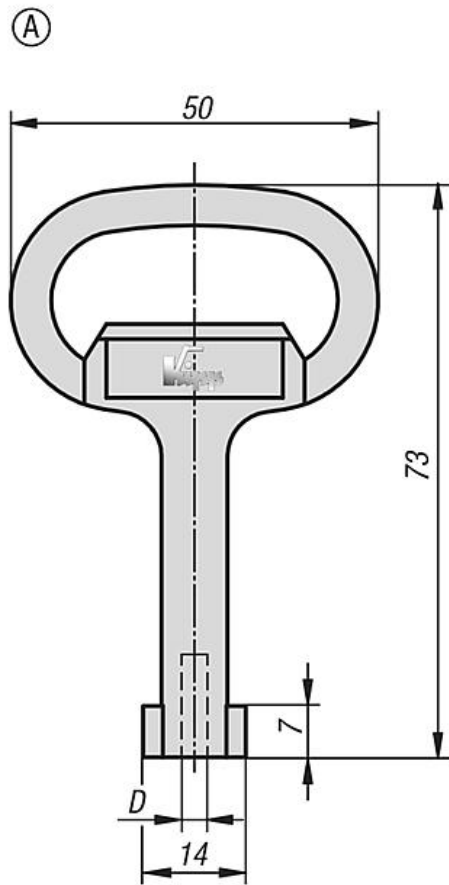
Material:
Die-cast zinc.

Version:
chromium-plated.

Note:
For operating compression latches and quarter-turn locks.

Keys for latches and locks

Drawings



Keys for latches and locks

Overview of items

Keys for latches and locks

Order No.	Form	Version	D
K0535.43	A	double lug 3 mm	3
K0535.45	A	double lug 5 mm	5
K0535.17	B	square 7 mm	15
K0535.18	B	square 8 mm	15
K0535.16	C	square 6 mm	11,5