

## Mushroom knobs biopolymer internal thread

### Item description/product images



### Description

#### Material:

Biopolymer, beech.  
Bush steel 5.8

#### Version:

Bush trivalent blue passivated.  
Natural beech with beech fibres or coloured black grey.

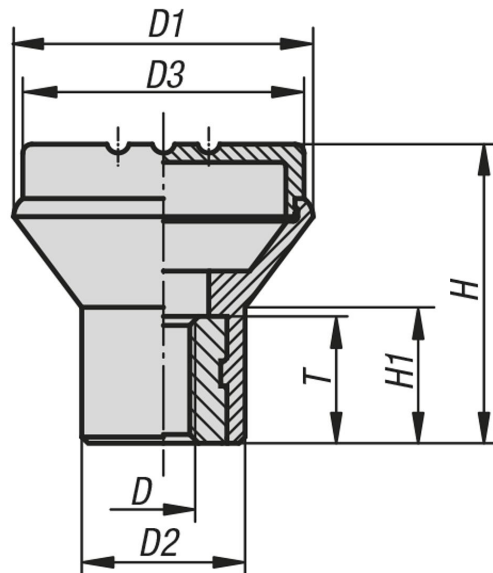
#### Advantages:

This biopolymer is manufactured entirely from renewable raw materials (oil free).  
Conservation of finite fossil resources.  
The wood fibres originate 100% from local, sustainably managed forests in Germany.

#### Features:

Excellent mechanical stability (certified with a minimum of 2x safety factor).  
Biopolymer is suitable for recycling (comparable to thermoplastics).  
Suitable for outdoor use (not biodegradable).  
Excellent resistance to strong acids and lyes.  
Short-term resistance to alcohol, fuel, mineral oil and grease.

### Drawings



### Overview of items

Order No.	Main colour	Thread type	D	D1	D2	D3	H	H1	T
K0251.1005143	natural beech	internal thread	M5	21	12	19	21	10	10
K0251.1006143	natural beech	internal thread	M6	25	14	23	25	12	10
K0251.1008143	natural beech	internal thread	M8	33	19	33	33	15	14
K0251.100590	black grey RAL 7021	internal thread	M5	21	12	19	21	10	10
K0251.100690	black grey RAL 7021	internal thread	M6	25	14	23	25	12	10
K0251.100890	black grey RAL 7021	internal thread	M8	33	19	33	33	15	14

