

## Toggle clamps vertical heavy-duty with fixed clamping spindle

Item description/product images



### Description

**Material:**

Steel.

**Version:**

Steel, hardened and passivated.

Plastic handle, oil-resistant.

**Accessory:**

K0688

K0689

K1442

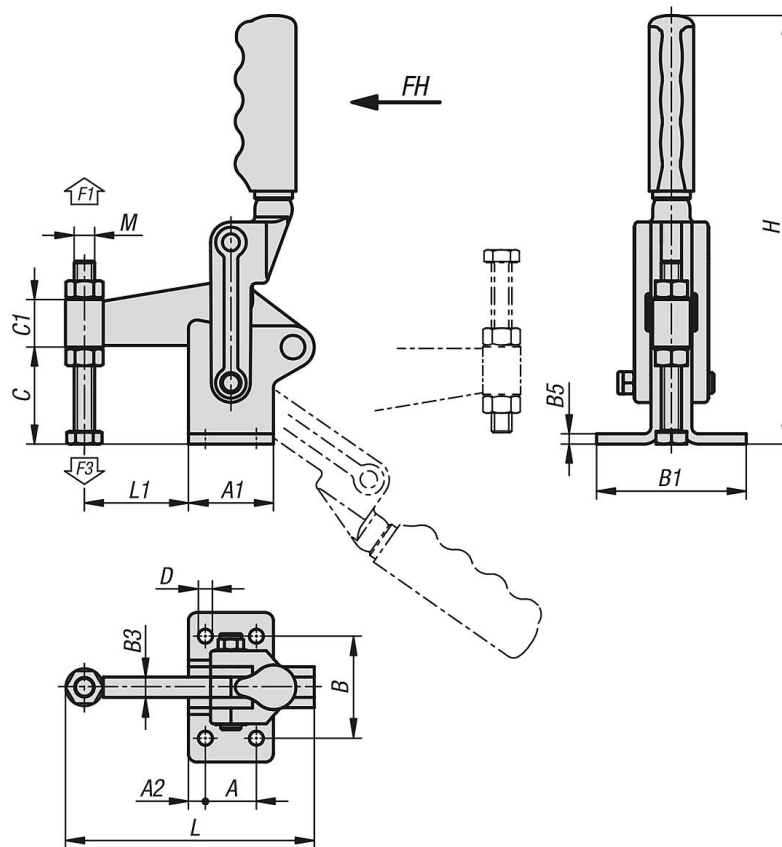
K0102

K0103

K0106

# Toggle clamps vertical heavy-duty with fixed clamping spindle

## Drawings



## Overview of items

### Toggle clamps vertical heavy-duty with fixed clamping spindle

Order No.	Opening angle of holding arm		Opening angle of handle		Hand force FH N	Retaining force F1 N	Clamping force F3 N							
K1253.012000	180°		125°		500	12000	1400							
K1253.014000	195°		130°		500	14000	1850							
Order No.	A	A1	A2	B	B1	B3	B5	C	C1	D	H	L	L1	M
K1253.012000	30	50	10	60	88	12	6	58	30	8,3	252	146,2	61,1	M12x100
K1253.014000	40	63	12	75	105	16	8	75	38	10,3	295	185,25	75	M16x150