

Cable clips with T-slot key

Item description/product images



Description

Material:

Polyamide.
O-ring FPM 70.

Version:

black.

Note:

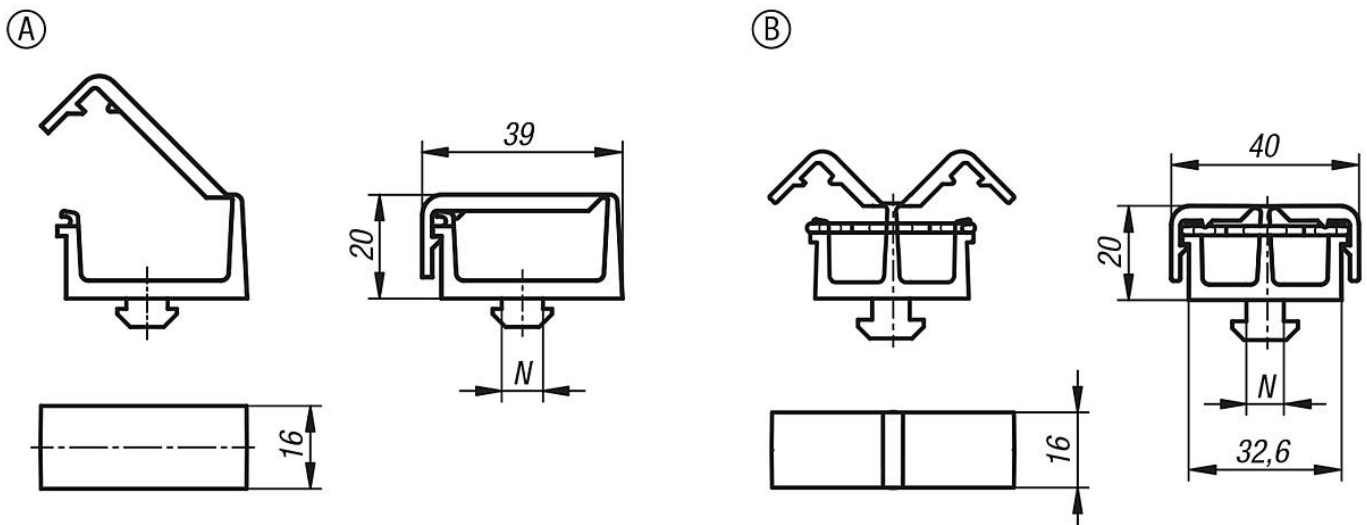
The cable clip is a fastening component for cables and hoses with a diameter up to 12 mm.

The clip is mounted by inserting the T-key into a T-slot and twisting through 90°. The cables are held in place by the stretched O-ring.

Form A: with one channel.

Form B: with two separate channels.

Drawings



Overview of items

Cable clip with T-slot key

Order No.	Form	Type	Slot width	N
K1280.1108	A	Type I	8	8
K1280.1208	A	type B	8	8
K1280.1210	A	type B	10	10
K1280.2108	B	Type I	8	8
K1280.2208	B	type B	8	8
K1280.2210	B	type B	10	10