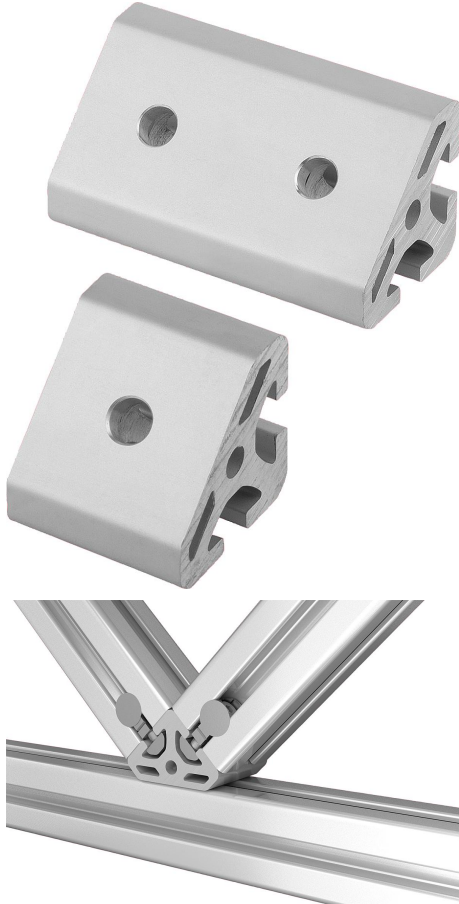


Angle elements T2 Type I

Item description/product images



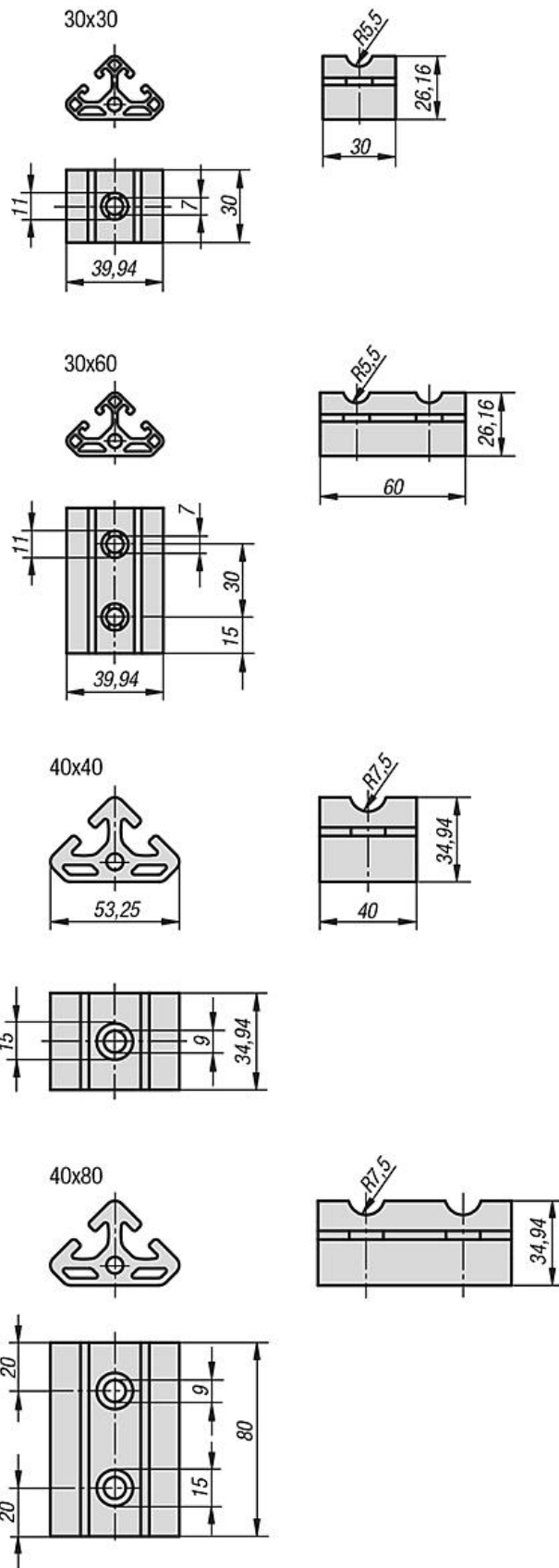
Description

Material:
Aluminium.

Version:
anodised.

Note:
Angle element for fastening two profiles at a 45° angle and for making struts or ties. The angle element can be fastened with universal connector sets and ISO 7380 round-head screws.

Drawings



Angle elements T2 Type I

Overview of items

| Order No. | Type | Slot width | Version |
|--------------|------|------------|---------|
| K1048.063030 | I | 6 | 30x30 |
| K1048.063060 | I | 6 | 30x60 |
| K1048.084040 | I | 8 | 40x40 |
| K1048.084080 | I | 8 | 40x80 |