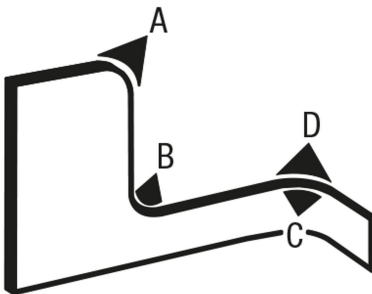


Edge protection profiles with integrated steel wire core

Item description/product images



Minimum bend radius:



Description

Material:
EPDM or PVC and EPDM foam rubber.

Version:
black.

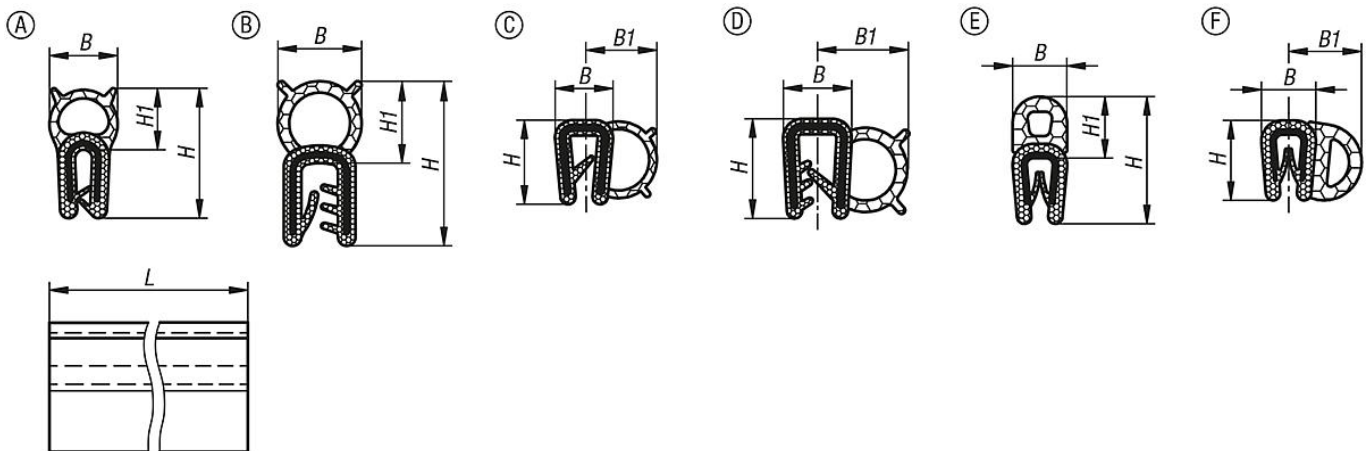
Note:
In addition to edge protection, these profiles also provide a sealing function against moisture, dust and dirt for other elements such as doors, hatches or housing covers. Depending on the shape of the foam rubber profile, they can be used in a wide range of applications.

EPDM rubber sizes 11, 13, 15 and 22 are UL50, UL50E and UL94HB certified.

Assembly:
Easy, quick and smooth assembly. The edge protection profile is easy to push on by hand and remains in place. No adhesive or fastening material required.

On request:
Other lengths.

Drawings



Overview of items

Edge protection sealing profiles with integrated steel wire core

Order No.	Form	Main material	L	Clamping range mm	Minimum bend radius mm	B	B1	H	H1
K1368.015X2000	A	EPDM	2000	0,5-1,5	A=50 B=180 C=25 D=25	8	-	15	7
K1368.015X5000	A	EPDM	5000	0,5-1,5	A=50 B=180 C=25 D=25	8	-	15	7
K1368.015X10000	A	EPDM	10000	0,5-1,5	A=50 B=180 C=25 D=25	8	-	15	7
K1368.015X20000	A	EPDM	20000	0,5-1,5	A=50 B=180 C=25 D=25	8	-	15	7
K1368.015X50000	A	EPDM	50000	0,5-1,5	A=50 B=180 C=25 D=25	8	-	15	7
K1368.122X2000	B	EPDM	2000	1,0-3,0	A=50 B=180 C=30 D=30	11	-	22	11
K1368.122X5000	B	EPDM	5000	1,0-3,0	A=50 B=180 C=30 D=30	11	-	22	11
K1368.122X10000	B	EPDM	10000	1,0-3,0	A=50 B=180 C=30 D=30	11	-	22	11
K1368.122X20000	B	EPDM	20000	1,0-3,0	A=50 B=180 C=30 D=30	11	-	22	11
K1368.122X50000	B	EPDM	50000	1,0-3,0	A=50 B=180 C=30 D=30	11	-	22	11

Edge protection profiles with integrated steel wire core

Overview of items

Order No.	Form	Main material	L	Clamping range mm	Minimum bend radius mm	B	B1	H	H1
K1368.211X2000	C	EPDM	2000	1,0-2,0	A=100 B=200 C=100 D=60	8	9	11	-
K1368.211X5000	C	EPDM	5000	1,0-2,0	A=100 B=200 C=100 D=60	8	9	11	-
K1368.211X10000	C	EPDM	10000	1,0-2,0	A=100 B=200 C=100 D=60	8	9	11	-
K1368.211X20000	C	EPDM	20000	1,0-2,0	A=100 B=200 C=100 D=60	8	9	11	-
K1368.211X50000	C	EPDM	50000	1,0-2,0	A=100 B=200 C=100 D=60	8	9	11	-
K1368.313X2000	D	EPDM	2000	2,0	A=50 B=20 C=120 D=40	9	12	13	-
K1368.313X5000	D	EPDM	5000	2,0	A=50 B=20 C=120 D=40	9	12	13	-
K1368.313X10000	D	EPDM	10000	2,0	A=50 B=20 C=120 D=40	9	12	13	-
K1368.313X20000	D	EPDM	20000	2,0	A=50 B=20 C=120 D=40	9	12	13	-
K1368.313X50000	D	EPDM	50000	2,0	A=50 B=20 C=120 D=40	9	12	13	-
K1368.415X2000	E	PVC	2000	1,0-2,0	A=20 B=40 C=10 D=10	6,5	-	15	7
K1368.415X5000	E	PVC	5000	1,0-2,0	A=20 B=40 C=10 D=10	6,5	-	15	7
K1368.415X10000	E	PVC	10000	1,0-2,0	A=20 B=40 C=10 D=10	6,5	-	15	7
K1368.415X20000	E	PVC	20000	1,0-2,0	A=20 B=40 C=10 D=10	6,5	-	15	7
K1368.415X50000	E	PVC	50000	1,0-2,0	A=20 B=40 C=10 D=10	6,5	-	15	7
K1368.510X2000	F	PVC	2000	1,0-2,0	A=20 B=15 C=30 D=30	7	9	10	-
K1368.510X5000	F	PVC	5000	1,0-2,0	A=20 B=15 C=30 D=30	7	9	10	-
K1368.510X10000	F	PVC	10000	1,0-2,0	A=20 B=15 C=30 D=30	7	9	10	-
K1368.510X20000	F	PVC	20000	1,0-2,0	A=20 B=15 C=30 D=30	7	9	10	-
K1368.510X50000	F	PVC	50000	1,0-2,0	A=20 B=15 C=30 D=30	7	9	10	-