

## Clamping levers ECO internal thread

### Item description/product images



press to  
disengage



### Description

**Material:**

Handle and insert reinforced plastic.

For size 1 and 2, brass bush.

For size 3, steel bush.

**Version:**

Steel trivalent blue passivated.

**Note:**

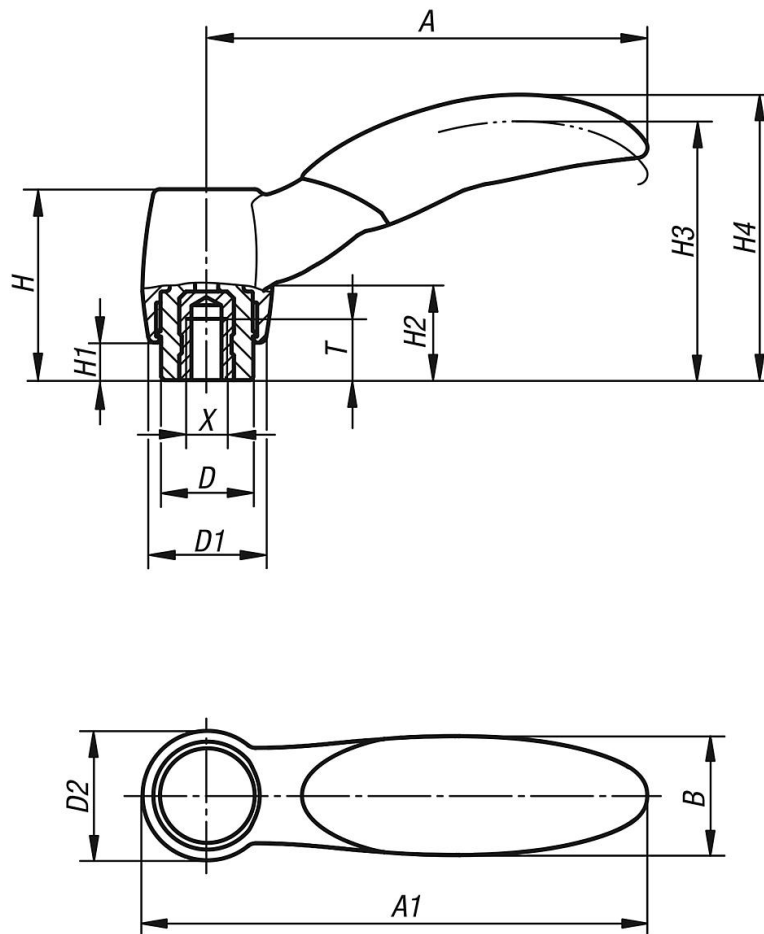
Standard colour is black grey RAL 7021.

**On request:**

Other female threads, colours and special versions.

# Clamping levers ECO internal thread

## Drawings



## Overview of items

### Clamping lever ECO internal thread

Order No.	Size	X	T	D	D1	D2	H	H1	H2	H3	H4	A	A1	B	No. of teeth
K0252.1041	1	M4	6	10	12,6	14,1	21,7	5	11,3	32	29,1	47,9	55	13	12
K0252.1051	1	M5	6	10	12,6	14,1	21,7	5	11,3	32	29,1	47,9	55	13	12
K0252.2051	2	M5	7,5	13,5	17	19	28	5,5	14	41,9	38	64,5	74	17,5	12
K0252.2061	2	M6	9	13,5	17	19	28	5,5	14	41,9	38	64,5	74	17,5	12
K0252.2081	2	M8	9	13,5	17	19	28	5,5	14	41,9	38	64,5	74	17,5	12
K0252.3081	3	M8	12	17	20,4	23,9	40,7	10	23,1	58,1	53,3	81,1	93	22	12
K0252.3101	3	M10	12	17	20,4	23,9	40,7	10	23,1	58,1	53,3	81,1	93	22	12