

Ball lock bushes

Item description/product images



Description

Material:

Housing steel.

Balls and springs stainless steel.

Version:

Housing nickel-plated.

Balls tempered.

Note:

The 3 balls inside the bush hold the locking pin with the specified retaining force.

Installation dimensions for Form A: min. plate thickness 6 mm.

Installation dimensions for Form B: max. plate thickness 10 mm.

Installation dimensions for Form C: plate thickness > 10 mm.

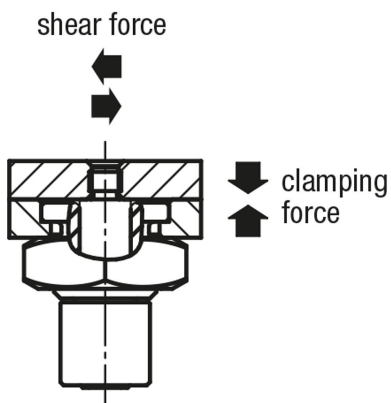
Installation dimensions for Form D: blind hole.

On request:

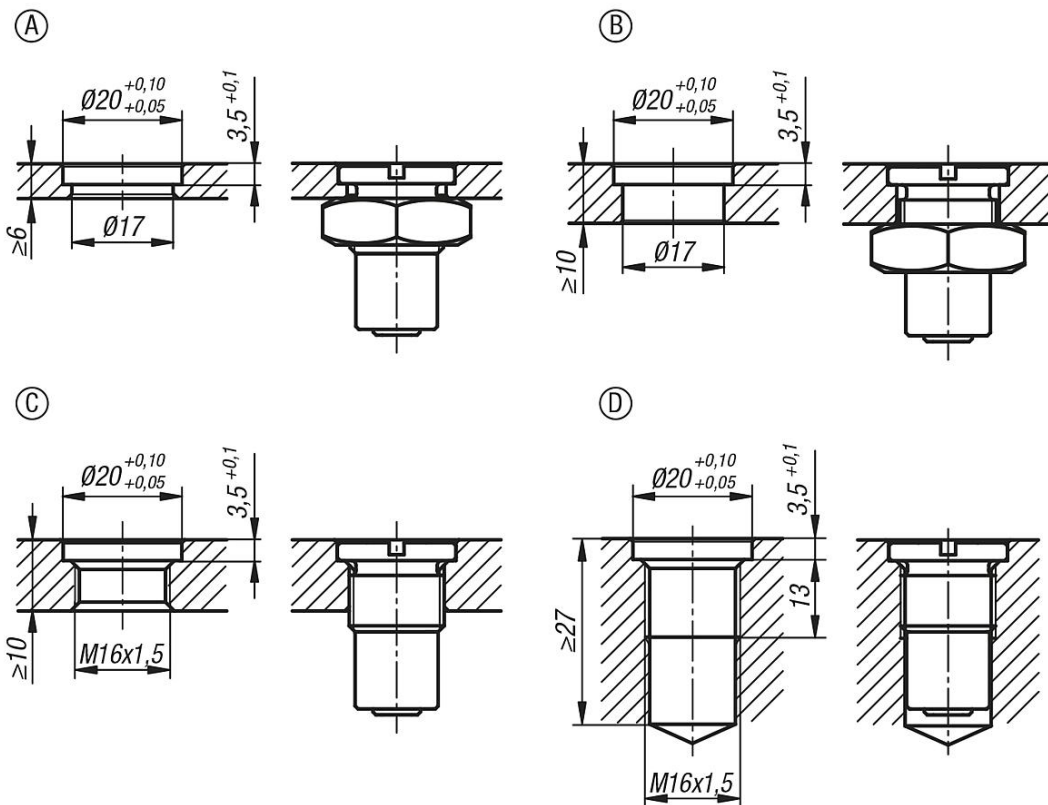
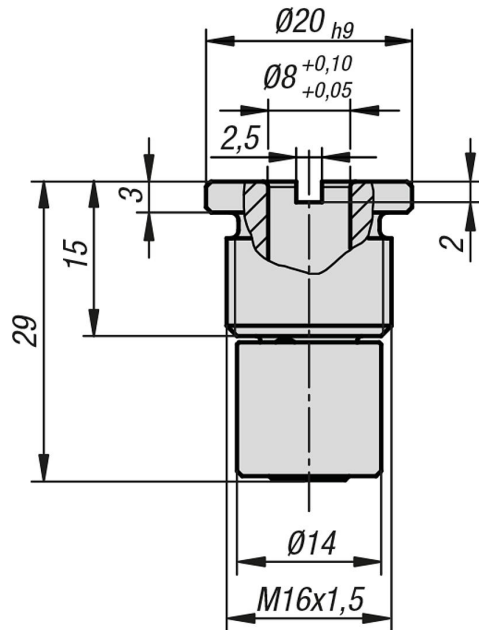
Suitable nuts.

Accessory:

Locking pin K1067.



Drawings



Overview of items

Order No.	Clamping force N	Shearing force kN	Temperature resistance
K1066.7	7	1,8	≤180 °C
K1066.15	15	1,8	≤180 °C