

## Locators

### Item description/product images



### Description

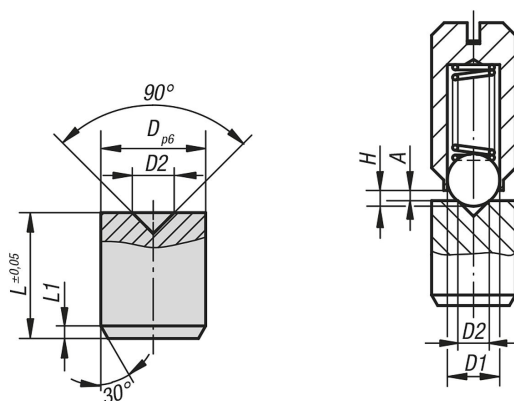
**Material:**  
Steel.

**Version:**  
Bright, hardened.

**Note:**  
If abrasion-resistant and exact locking is necessary, locators can be used together with spring plungers, especially with strong spring force.

$$A = H - \left( \frac{D1 + D2}{2} - \frac{\sqrt{2}}{2} \times D1 \right)$$

### Drawings



### Overview of items

#### Locators

Order No.	Suitable for spring plungers with ØD	D	D1	D2	H	L	L1
K0332.04015	- / M4	4	See relevant products for dimensions	1,5	See relevant products for dimensions	5	0,5
K0332.05020	Ø4 / M5	5	See relevant products for dimensions	2	See relevant products for dimensions	6	0,5
K0332.06020	Ø5 / M6	6	See relevant products for dimensions	2	See relevant products for dimensions	8	0,7
K0332.08030	Ø6 / M8	8	See relevant products for dimensions	3	See relevant products for dimensions	10	1
K0332.10040	Ø8 / M10	10	See relevant products for dimensions	4	See relevant products for dimensions	12	1,2
K0332.12060	Ø10 / M12	12	See relevant products for dimensions	6	See relevant products for dimensions	14	1,5
K0332.16080	Ø12 / M16	16	See relevant products for dimensions	8	See relevant products for dimensions	18	2